

**9010**  
12.19

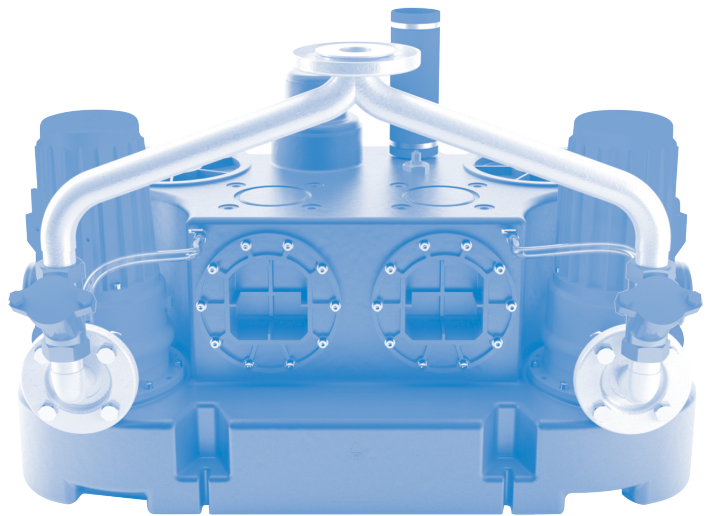
# SFA

## SANICUBIC® GR

### SANICUBIC® 1 GR



### SANICUBIC® 2 GR



- Ⓔ Sewage Lifting unit with cutting system • Operation manual
- Ⓕ Pumpstation för avloppsvatten med maceratorpump • Bruksanvisning för service/installation
- Ⓖ Pumpestasjon for avløpsvann med kvernpumpe • Service-/monteringsveiledning

|                      |           |
|----------------------|-----------|
| <b>English</b> ..... | <b>3</b>  |
| <b>Svenska</b> ..... | <b>17</b> |
| <b>Norsk</b> .....   | <b>32</b> |

# CONTENTS

|  |              |
|--|--------------|
| <b>1. SAFETY</b> .....   | <b>pg.4</b>  |
| 1.1 Marking of instructions in the operating manual .....                  | pg.4         |
| 1.2 Personnel qualifications and training .....                            | pg.5         |
| 1.3 Dangers from non-observance of the safety instructions .....           | pg.5         |
| 1.4 Safety-awareness at work.....  | pg.5         |
| 1.5 Safety instructions for the customer/operator .....                    | pg.5         |
| 1.6 Safety instructions for maintenance, inspection and assembly work..... | pg.5         |
| 1.7 Unauthorised re-equipping and spare-part production.....               | pg.6         |
| 1.8 Prohibited methods of operation .....                                  | pg.6         |
| <b>2. GENERAL</b> .....  | <b>pg.6</b>  |
| 2.1 Introduction .....   | pg.6         |
| 2.2 Queries and orders .....   | pg.6         |
| 2.3 Technical specifications .....   | pg.7         |
| 2.4 Area of usage .....  | pg.7         |
| 2.5 Scope of delivery .....  | pg.7         |
| <b>3. TRANSPORT AND INTERIM STORAGE</b> .....                              | <b>pg.7</b>  |
| 3.1 Transport.....   | pg.7         |
| 3.2 Interim storage/conservation .....                                     | pg.7         |
| <b>4. DESCRIPTION</b> .....  | <b>pg.8</b>  |
| 4.1 General .....  | pg.8         |
| 4.2 Construction and work method .....                                     | pg.8         |
| <b>5. INSTALLATION</b> .....   | <b>pg.8</b>  |
| 5.1 Preparations .....   | pg.8         |
| 5.2 Assembly .....   | pg.8         |
| <b>6. INITIAL OPERATION</b> .....  | <b>pg.9</b>  |
| <b>7. MAINTENANCE/REPAIRS</b> .....  | <b>pg.10</b> |
| 7.1 Inspection and maintenance intervals .....                             | pg.10        |
| 7.2 Maintenance work .....   | pg.10        |
| <b>8. MALFUNCTIONS, CAUSES AND TROUBLESHOOTING</b> .....                   | <b>pg.10</b> |
| <b>9. WARRANTY</b> .....   | <b>pg.11</b> |
| <b>10. TECHNICAL MODIFICATIONS</b> .....                                   | <b>pg.11</b> |
| Appendix A: Main dimensions.....   | pg.12        |
| Appendix B: Power diagram .....  | pg.14        |
| Appendix C: Spare parts list .....   | pg.14        |
| Appendix D: Section diagram and spare parts list of the pump ..            | pg.15        |

# 1. SAFETY

## WARNING

This device can be used by children who are at least 8 years old and by people with reduced physical, sensory or mental capacities or those without knowledge or experience, if they are properly supervised or if they have been given instructions on safely using the device and the associated risks have been understood. Children should not play with the device. Children should not clean or perform maintenance on the device without supervision.

## ELECTRICAL CONNECTIONS:

The electrical installation must be done by a qualified electrical engineer. The device's power supply must be connected to ground (class I) and protected by a high sensitivity differential circuit breaker (30 mA). Devices without plugs must be connected to a main switch on the power supply which disconnects all poles (contact separation distance of at least 3 mm). The connection must be used exclusively to provide the power to the product.

If the power cord is damaged, to prevent possible danger, it must be replaced by the manufacturer, customer service team or a similarly qualified individual.

This Operating Manual contains fundamental instructions that are to be observed when setting up, operating and maintaining the machine/system. Hence it is imperative that this Operating Manual be read by the technician and the responsible specialist personnel/operators before assembly and initial operation and be permanently available at the site of usage of the machine/system.

You are bound to observe not only the general safety instructions that can be found under the main point *1. Safety*, but also other special safety instructions added to other main points, for example for private usage

### 1.1 Labelling of notes in the operating instructions



#### **Danger**

This term defines a high risk of danger, which can lead to death or serious injury, if not avoided.



#### **Dangerous area**

This symbol characterises hazards that could lead to death or injury.



#### **Dangerous voltage**

This symbol characterises dangers associated with the voltage and provides information on voltage protection.



#### **Property damage**

This symbol, in combination with the keyword **ATTENTION**, characterises dangers to the machine and its proper operation.

It is imperative to observe signs that are attached directly to the machine (for example, rotational direction arrow, sign for fluid connections) and they must be kept fully legible.

## **1.2 Personnel qualifications and training**

The personnel responsible for operating, maintaining, inspection and assembly of the machine/system must be appropriately qualified for whatever work they do. The customer is responsible for exactly regulating areas of responsibility, authority and monitoring of personnel. Should personnel not avail of the necessary knowledge, they are to be trained and instructed. This can be done, if necessary, by the manufacturer/supplier, on commission of the purchase of the machine. Furthermore, the customer has to ensure that the relevant personnel have fully understood the contents of the Operating Manual.

## **1.3 Dangers from non-observance of the safety instructions**

Non-observance of the safety instructions can result in danger to persons and damage to the environment and the machine. Non-observance of the safety instructions can lead to loss of any claims for damage compensation.

In detail, non-observance can for instance involve the following hazards:

- Failure of important machine/system functions,
- Failure of prescribed methods for maintenance and repairs,
- Danger to persons through electrical, mechanical and chemical hazards,
- Danger to the environment through leakage of harmful substances.

## **1.4 Safety-awareness at work**

The safety instructions described in this Operating Manual, the valid national regulations on accident prevention, and possible internal regulations of the customer on work, operation and safety are to be observed.

## **1.5 Safety instructions for the customer/operator**

- The possibility of hot or cold machinery means that parts could become a hazard, the customer has make provisions to avoid these parts being touched.
- Protective devices to prevent touching moving machinery (e.g. coupling) may not be removed from operating machines.
- Leakage (e.g. shaft seals) of dangerous conveyed products (e.g. explosive, poisonous, hot) has to be led off in such a way that there is no endangerment to persons or environment. Legal stipulations are to be maintained.
- Hazards through electric energy are to be eradicated (for details, see national regulations and those of the local power supply companies).

## **1.6 Safety instructions for maintenance, inspection and assembly work**

The customer has to ensure that all maintenance, inspection and assembly work is carried out by authorised and qualified specialist personnel, who have been sufficiently informed through relevant and adequate study of the Operating Manual.

Work on the machine is to be done on principle only when it is shut down. The procedure for shutting down the machine is described in the Operating Manual and is to be followed without deviation.

Pumps, or pump units that convey hazardous media have to be decontaminated. Immediately after finishing work, all safety and protective devices have to be re-attached and put into effect.

Prior to initial (re-)start-up, you are to take heed of the points listed in the section Initial Operation.

### **1.7 Unauthorised re-equipping and spare-part production**

Re-equipment and modification of the machine are only permitted after consultation with the manufacturer. Original spare parts and accessories authorised by the manufacturer are all part of the safety strategy. Use of other parts can eliminate liability for the consequences that ensue.

### **1.8 Prohibited methods of operation**

Operational safety of the delivered machine is only guaranteed when it is used appropriately according to Section 2. *General* in the Operating Manual. The limit values specified in the data sheet may on no account be exceeded.

## **2. GENERAL**

### **2.1 Introduction**

This Operating Manual applies to the effluent lifting units with cutting unit pump(s) of the SANICUBIC® GR production series.

**The warranty automatically expires if the Operating Manual is not observed - especially the safety instructions - and also if the device undergoes unauthorised re-equipping, or if non-original spare parts are installed into it. The manufacturer is not liable for any damage resulting from this!**

**As with other electrical devices, this product is also liable to fail through lack of main power supply or a technical defect. Damage may ensue for you for these reasons, you should plan an emergency power supply unit according to usage, a manual diaphragm pump, a second system (double system) and/or an alarm unit independent of the mains. As manufacturers, we are happy to advise you at any time, also after purchase. Please consult your dealers in case of any defects or in case of damage.**

### **Products in the range:**

|                          |                          |
|--------------------------|--------------------------|
| SANICUBIC® 1 GR SE71.1 S | SANICUBIC® 2 GR SE71.1 T |
| SANICUBIC® 1 GR SE71.1 T | SANICUBIC® 2 GR SE71.2 T |
| SANICUBIC® 1 GR SE71.2 T | SANICUBIC® 2 GR SE71.3 T |
| SANICUBIC® 1 GR SE71.3 T | SANICUBIC® 2 GR SE71.4 T |
| SANICUBIC® 1 GR SE71.4 T |                          |

### **2.2 Queries and orders**

Please send your queries and orders to your specialist dealer.

## 2.3 Technical specifications

### Power specifications

| Typ<br>SANICUBIC®<br>GR | Power<br>P1<br>[kW] | Power<br>P2<br>[kW] | Voltage<br>U<br>[V] | Power<br>reception<br>I <sub>n</sub> [A] | Rotational<br>speed<br>[n <sup>-1</sup> ] | Flage<br>Pump | Inlet                                | Inlet<br>height<br>h [mm] |
|-------------------------|---------------------|---------------------|---------------------|--|---|---------------|--------------------------------------|---------------------------|
| SE71.1 S                | 2,2                 | 1,7                 | 230                 | 10,5                                     | 2 800                                     | DN 50         | single unit:<br>DN 100<br>DN 50/100  | 250<br>576                |
| SE71.1 T                | 2,1                 | 1,7                 | 400                 | 3,7                                      | 2 800                                     | DN 50         |                                      |                           |
| SE71.2 T                | 2,1                 | 1,7                 | 400                 | 3,7                                      | 2 800                                     | DN 50         |                                      |                           |
| SE71.3 T                | 3,9                 | 3,2                 | 400                 | 6,5                                      | 2 800                                     | DN 50         | double unit:<br>DN 100<br>DN 100/150 | 250<br>586                |
| SE71.4 T                | 3,9                 | 3,2                 | 400                 | 6,5                                      | 2 800                                     | DN 50         |                                      |                           |

Maximum medium temperature: 55°C

### Materials

|                       |                 |                         |                       |
|-----------------------|-----------------|-------------------------|-----------------------|
| <b>Container</b>      | PE HD           | <b>Cutting blade</b>    | Stainless steel       |
| <b>Pump housing</b>   | GG 20           | <b>Motor shaft</b>      | Stainless steel       |
| <b>Rotor</b>          | GG 20           | <b>Seals</b>            | NBR, FPM              |
| <b>Seal supports</b>  | GG 20           | <b>Axial face seals</b> | SiC (silicon carbide) |
| <b>Cutting flange</b> | Stainless steel |                         |                       |

### 2.4 Area of usage

The effluent lifting units of the SANICUBIC® GR production series are used for the disposal (collection and conveying) of domestic and industrial effluent that develops underneath the canal backflow level. The model with cutting unit pumps enables pumping off over greater conveying heights and pressure main lengths. The pressure main may be laid at a dimension of DN 50.

Double systems are used wherever an interruption of the effluent disposal system is not permitted to occur, in terms of DIN 1986.

### 2.5 Scope of delivery

The effluent lifting units of the SANICUBIC® GR production series are delivered with:

- assembled cutting unit pump(s) of the SANIPUMP® ZFS 71 production series,
- connection for emergency evacuation,
- pneumatic control and switch boxes,
- inflow bend DN 100,
- flexible connection for ventilation of the collection chamber,
- pressure decrease bend DN 50,
- back-kick flap(s) DN 50,
- forked pipe DN 50/50/50 (only for double system).

## 3. TRANSPORT AND INTERIM STORAGE

### 3.1 Transport

The effluent lifting units of the SANICUBIC® GR production series may not be thrown or dropped. Moreover, they are to be transported in a horizontal position.

### 3.2 Interim storage/conservation

The machine can be kept in interim storage and conserved in a cool, dark, dry and frost-free site. The systems should stand in horizontal position.

## 4. DESCRIPTION

### 4.1 General

The effluent lifting units of the SANICUBIC® GR production series are single systems that are ready to plug in and safe against flooding, with collection chambers made of gas- and odour-proof plastic. They work with vertical cutting unit pumps with automatic pneumatic level control. They are completely equipped with switch boxes and all necessary switching elements.

### 4.2 Construction and work method

The effluent falls into the collection chamber of the SANICUBIC® GR effluent lifting unit through the DN 100 (HT pipe) inflow.

The water rises in the back-up pipe screwed onto the top side of the chamber and compresses the air located in the back-up pipe until the pressure activates the banking up pressure switch in the switch box. This switches on the pump and conveys the water out of the chamber via the pressure main in the canal lying above.

The back-kick flaps in the pressure main prevent the return flow of the water from the pressure main into the chamber.

The switching system is provided with an acoustic alarm which is activated when the pump(s) fail(s) or when the supply flow is too strong. The motor is automatically switched off at overload (excessive current consumption or excessive coil temperature).

## 5. INSTALLATION

### 5.1 Preparations

A fault-free operation of the lifting unit is not least dependent on a correct and flawless assembly. For this reason you have to note the following points:

- The set-up site should be a room that is well ventilated, dry and free of frost.
- The set-up site must be sufficient in dimensions. The height of the room should be around 2 to 2.5 m. According to DIN 1986 (German standard) part 3: "...All system parts...(and)... all operating elements... have to be accessible at all times and be operable without difficulties...These system parts are not to be blocked by stored commodities, furniture, cladding, casings and so forth..."
- The substructure of the set-up site is to be designed to bear the potential loads, depending on system size.
- Lower interior spaces tend to collect water from the water table or percolation water. Therefore there should be a small tank in the corner of the room, where these liquids collect and can be disposed of with a cellar drainage pump.
- A hook in the ceiling above the set-up site of the lifting unit facilitates assembly and potential maintenance and repair work on the pump.
- Prior to assembly, all construction and connection measurements should be checked and compared with the dimensions of the system. Here you should pay special attention that the constantly downward-inclining supply connection never lies lower than the inflow height of the collection chamber.

### 5.2 Assembly

Pay urgent heed during assembly to a voltage-free and leak-proof installation of the pipelines and fittings.

#### 5.2.1 Set-up

The effluent lifting units of the SANICUBIC® GR production series are aligned on the set-up site according to whatever pipelines are provided. It is set up horizontally and fastened to the floor by means of the fixing screws supplied in delivery.

DIN 19 760 (German standrad) Part 1: "...The excrement lifting installation is to be designed so that distortion and buoying upwards caused by fixing devices are avoided ..."



### 5.2.2 Supply

The supply connection is attached at the inflow bend supplied in delivery (single system) or directly onto the chamber (double system). It must always lie at a downward incline. Ascending stretches along the supply line are prohibited.

#### **IMPORTANT:**

When using the minimum supply height of 250 mm, note that the level control system is adjusted so that during normal operation the water level in the chamber rises a little above the lower edge until the supply pipe is filled to a maximum of  $\frac{1}{2}$  before the pump switches on. Hence, a corresponding water level adjusts for all pipes that are connected lower. This may mean that dirt deposits cannot be excluded in supply lines in this area and in extreme cases may cause a stoppage of the pipe.

### 5.2.3 Pressure main

A bend DN 50, 90° is mounted as standard on the horizontal pressure discharge of the pump, which ends in a vertical direction drilled with 5/4" internal thread.

The installation back-kick flaps is imperative in the pressure main of the lifting unit. DIN 19 760 (German standard) Part 3: "...After interruption of the supply flow, back-flow inhibitors have to prevent back-flow of the effluent from the pressure main automatically. When the inflow supply starts, the back-flow inhibitor must open automatically..."

We thus recommend the installation of a gate valve behind the back-kick flap, to facilitate any cleaning or exchange of the back-kick flap.

The pressure main has to ascend continuously and without unnecessary jumps in a bend above the backflow level and then fall continuously to the canal connection. Pipe connection and fittings may have to be supported with pipe clips or brackets.

### 5.2.4 Ventilation

The chamber ventilation system DN 65 is either connected directly to the ventilation pipe of the building or separately installed via the roof.

### 5.2.5 Electrical Connection

The switch box has to be attached in such a way that the pneumatic hose for the pneumatic level control system lies at a continuous ascending incline. Only thus can a fault-free function of the automatic control system be guaranteed. The system plug (CEE, shockproof socket for single systems) is plugged in directly before initial operation. Pay heed at this point that the electrical system corresponds to the valid directives. The mains supply for double systems is designed according to the circuit diagram.

The circuit diagram for wiring the lifting unit is in the switch box and should be left there for the convenience of the maintenance and customer service personnel.

## 6. INITIAL OPERATION

Prior to initial operation, all connections should be checked once more for correct assembly, the gate valve must be open.

Now insert the plug into the socket and, for rotary current systems, check the rotational direction of the pump. This can be done by setting the manual/0/automatic switch briefly to "Manual". When the motor runs down, the rotational direction seen at the viewing port on the top side can be compared with the correct rotational direction (rotational direction arrow). Should the pump be running in a reverse direction, two of the three phases have to be exchanged.

 **DANGER**



**Disconnect the lifting station from the mains electricity before you do any work to the system!**

Now set the manual/0/automatic switch to "Automatic" and do a trial run. To do this, the collection chamber is filled through the normal inflow (washbasin, toilet, etc.). The system has to switch on automatically, pump the chamber empty and switch on again. After switch-off, no water may run back into the chamber from the pressure main.

Correct the follow-up time according to installation conditions and conveying height so that the pump evacuates the collection chamber to a maximum and only runs dry for a short time (loud noise when pumping). The back-flow pipe may no longer be immersed into the liquid after the pumping process is finished. The follow-up time can be changed by means of the digital potentiometer on the switch device.

During the trial run, recheck all connections and fittings for leakage and re-seal where necessary. If the lifting unit is running properly, the switch remains in the "Automatic" setting.

## 7. MAINTENANCE/REPAIRS

### 7.1 Inspection and maintenance intervals

Inspection and maintenance intervals according to DIN 1986 (German standard) Part 31: "Effluent lifting installations should be checked once a month by the customer by monitoring one switching cycle for operational capability and leakage...The system is to be serviced by a specialist. Inspection and maintenance intervals should be no longer than:

- 3 months for systems in commercial operations,
- 6 months for systems in multiple family residences,
- 1 year for systems in single family houses."

### 7.2 Maintenance work

 **DANGER**



**Disconnect the lifting station from the mains electricity before you do any work to the system!**

#### 7.2.1 Collection chambers

Open the inspection lid and spray out the chamber with a hose to remove dirt layers on the chamber walls.

#### 7.2.2 Back-kick flap

Open the inspection lid and clean the back-kick flap from within.

#### 7.2.3 Other

All other maintenance work has to be carried out by the customer service department.

## 8. MALFUNCTIONS, CAUSES AND TROUBLESHOOTING

 **DANGER**



**Disconnect the lifting station from the mains electricity before you do any work to the system!**

| <b>Fault</b>                          | <b>Cause</b>   | <b>Elimination</b>  |
|---------------------------------------|--|---|
| 1. Motor is not running               | <ul style="list-style-type: none"> <li>- Voltage too low, lack of voltage</li> <li>- Wrong power connection</li> <li>- Electric cable defective</li> <br/> <li>- Fault at condenser</li> <br/> <li>- Rotor blocked</li> <li>- Motor protection system switched off because of overheating, blocking, voltage error</li> <li>- Control system error / Pressure switch defective</li> <li>- Pneumatic hose or connection leaking</li> <li>- Motor defective</li> </ul> | <ul style="list-style-type: none"> <li>- Check main supply</li> <li>- Correction</li> <li>- Replacement/ Customer service department</li> <li>- Replacement/ Customer service department</li> <li>- Clean</li> <li>- Check/Customer service department</li> <li>- Check/Customer service department</li> <li>- Check/Replace</li> <li>- Replacement/ Customer service department</li> </ul> |
| 2. Motor running but is not conveying | <ul style="list-style-type: none"> <li>- Rotor stopped up or worn</li> <li>- Back-kick flap fowled up</li> <li>- Gate valve fowled up or closed</li> <li>- Pressure main fowled up</li> <li>- Suction joints fowled up</li> <li>- Rotational direction wrong</li> <li>- Lack of water in the chamber</li> <br/> <li>- Chamber ventilation stopped up</li> <li>- Pump housing ventilation stopped up</li> </ul>   | <ul style="list-style-type: none"> <li>- Clean/replace</li> <li>- Clean</li> <li>- Clean/open</li> <li>- Clean</li> <li>- Clean</li> <li>- Correction</li> <li>- Switch off/ Customer service department</li> <li>- Clean</li> <li>- Clean</li> </ul>   |
| 3. Motor runs then switches off       | <ul style="list-style-type: none"> <li>- Voltage error, or fluctuates</li> <br/> <li>- Thermo-protection wrongly set</li> <br/> <li>- Current consumption too high</li> </ul>  | <ul style="list-style-type: none"> <li>- Correction/Customer service department</li> <li>- Check/Customer service department</li> <li>- Customer service department</li> </ul>  |
| 4. Motor does not switch off          | <ul style="list-style-type: none"> <li>- Control system fault</li> <li>- Pressure switch function not in order</li> </ul>  | <ul style="list-style-type: none"> <li>- Customer service department</li> <li>- Replacement/ Customer service department</li> </ul>   |

## **9. WARRANTY**

As manufacturer, we assume a warranty for this device for 24 months as of purchase date if lifting station has been correctly installed as per the installation instructions.

The legal document certifying this is your purchase invoice. Within this warranty term we eliminate by repair or replacement according to our option all deficiencies caused by material or manufacturing faults.

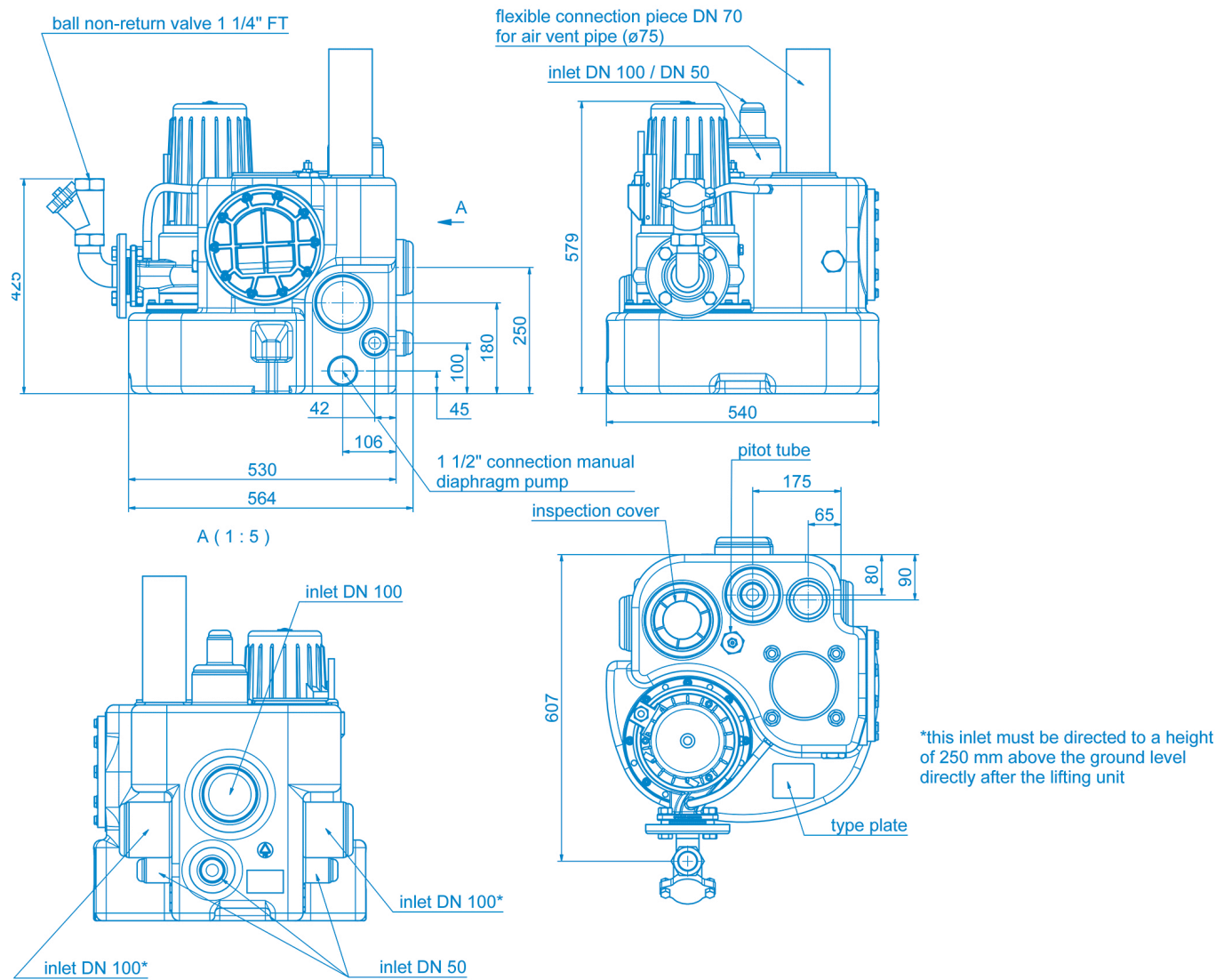
Excluded from the warranty is damage that is caused by inappropriate use and wear and tear. We are not liable for damage consequent to a failure of the device.

## **10. TECHNICAL MODIFICATIONS**

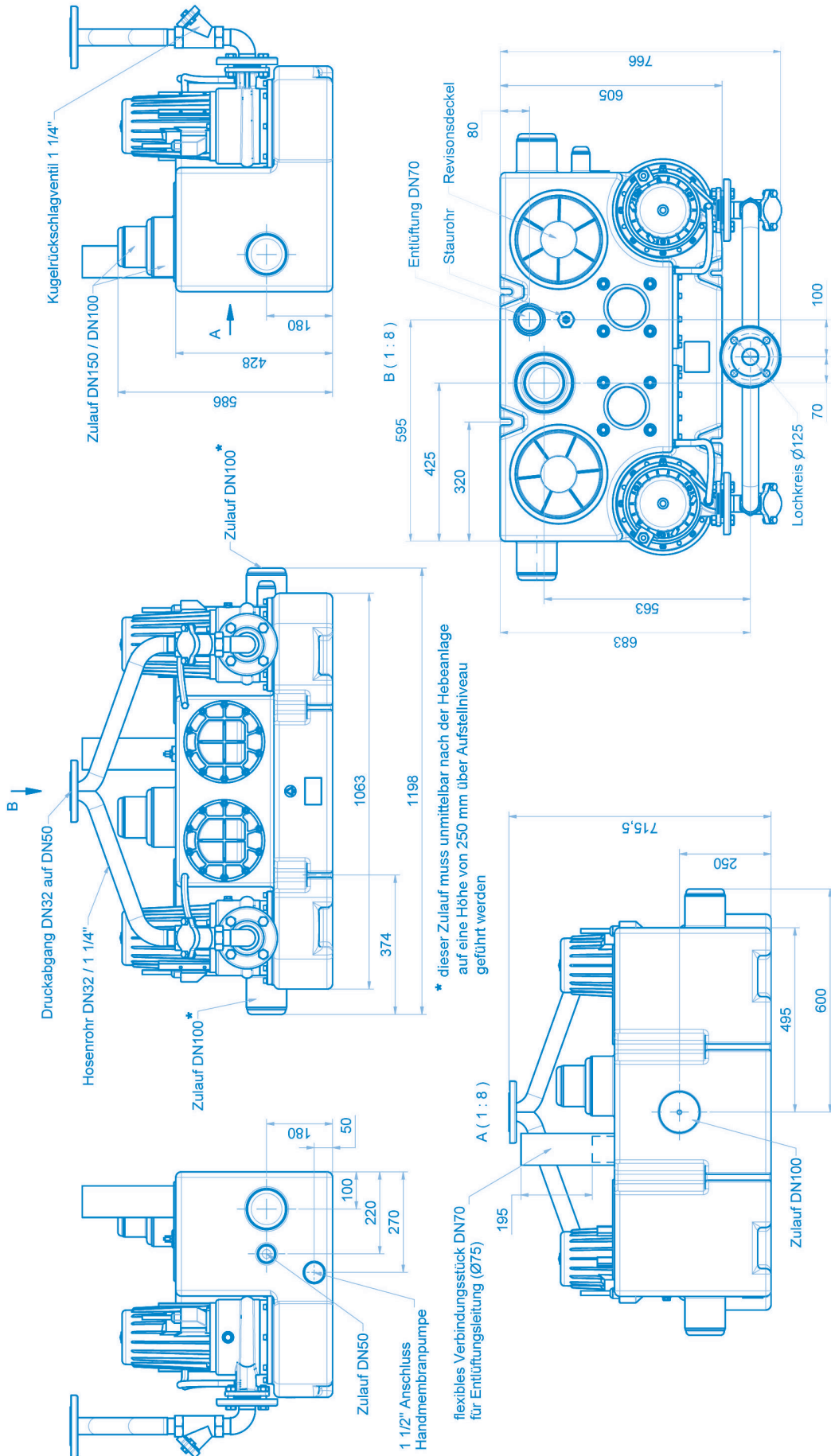
We reserve all rights for technical modifications in terms of further development.

# Appendix A: Main dimensions

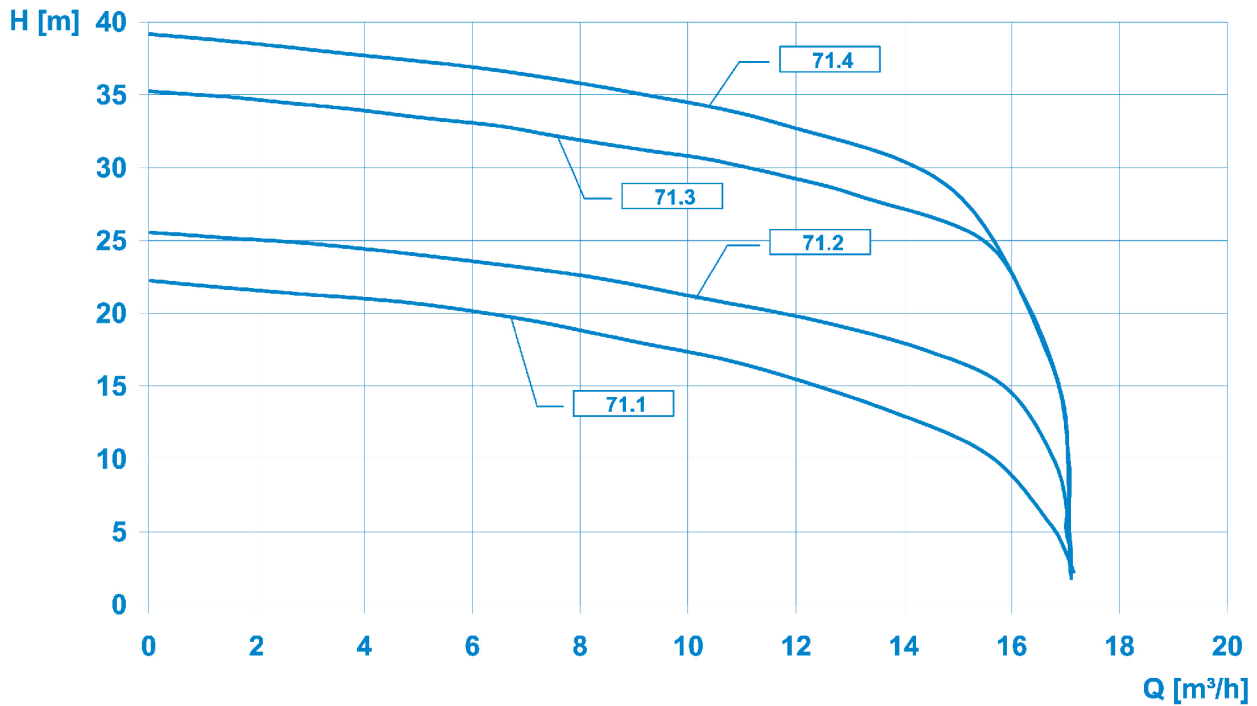
## SANICUBIC® 1 GR



# SANICUBIC® 2 GR



## Appendix B: Power diagram

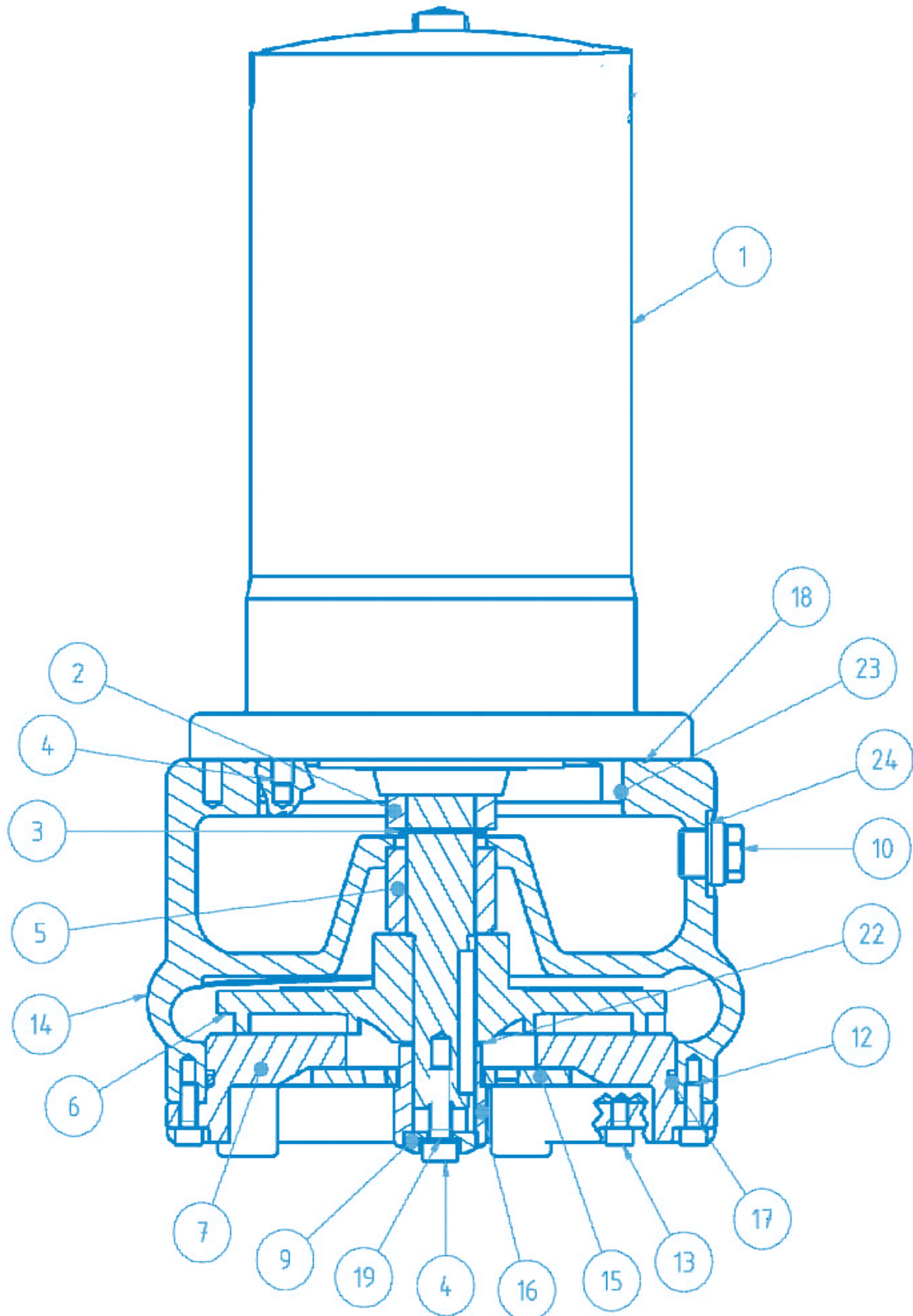


## Appendix C: Spare parts list

| Pos. | Item  | Designation                              | Article no. |
|------|-------|--|-------------|
|      | 1     | Chamber SANICUBIC® GR SE 71              | 117337      |
|      | (1)   | Chamber SANICUBIC® 2 GR SE 71            |             |
|      | 1 (2) | Suction nozzle SANICUBIC® GR SE 71       | 17481       |
|      | 1 (2) | Hose nozzle straight R 3/8"              | 117191      |
|      | 1     | Pitot tube complete                      | 60219       |
|      | 1     | Inspection cover with sealing            | 117012      |
|      | (2)   | Inspection cover duplex unit             |             |
|      | (2)   | Sealing for inspection cover duplex unit |             |
|      | 1     | Switchgear SANICUBIC® GR SE 71 230 V     | 200102      |
|      | 1     | Switchgear SANICUBIC® GR SE 71 400 V     | 255302      |
|      | (1)   | Switchgear SANICUBIC® 2 GR SE 71 400 V   |             |

# Appendix D: Section diagram and spare parts list of the pump

## Section diagram



## Spare parts list, pump

| Pos. | Art. Nr. | Designation  | Quantity |
|------|----------|--|----------|
|      | 17749    | Pump for SANICUBIC® 1 GR SE71.1 S                  | 1        |
|      | 17463    | Pump for SANICUBIC® GR SE71.1 T                    | 1 (2)    |
|      | 17562    | Pump for SANICUBIC® GR SE71.2 T                    | 1 (2)    |
|      | 17563    | Pump for SANICUBIC® GR SE71.3 T                    | 1 (2)    |
|      | 17564    | Pump for SANICUBIC® GR SE71.4 T                    | 1 (2)    |
| 1    | 17587    | Pot-type motor SANICUBIC® 1 GR SE71.1 S            | 1        |
| 1    | 17586    | Pot-type motor SANICUBIC® GR SE71.1 T and SE71.2 T | 1        |
| 1    | 17588    | Pot-type motor SANICUBIC® GR SE71.3 T and SE71.4 T | 1        |
| 2    | 17356    | GLRD LD1/25-G38 motor side                         | 1        |
| 3    | 11679    | Securing collar DIN471-A25x1,2                     | 1        |
| 4    | 16381    | Hexagonal socket head screw M8x25-A2               | 5        |
| 5    | 17377    | GLRD MG1/25-G6 medium side                         | 1        |
| 6    | 17373    | Impeller SANIPUMP® ZFS 71.1 Ø135                   | 1        |
| 6    | 17371    | Impeller SANIPUMP® ZFS 71.2 Ø145                   | 1        |
| 6    | 17372    | Impeller SANIPUMP® ZFS 71.3 Ø160                   | 1        |
| 6    | 17351    | Impeller SANIPUMP® ZFS 71.4 Ø170                   | 1        |
| 7    | 17391    | Cover SANIPUMP® ZFS 71 for tank top mounting       | 1        |
| 8    | 17109    | Countersunk screw M5x10-A2 DIN965                  | 3        |
| 9    | 17352    | Knife fitting SANIPUMP® ZFS 71                     | 1        |
| 10   | 11640    | Sealing screw, bea. G 3/8 (Entlüftung)             | 1        |
| 10   | 11639    | Sealing screw G3/8 DIN910 (Öl)                     | 1        |
| 11   | 11663    | Ring screw DIN 580-M8-A2                           | 1        |
| 12   | 15320    | Hexagonal socket head screw M6x20-A2               | 4        |
| 13   | 10008    | Hexagonal socket head screw M6x10-A2               | 4        |
| 14   | 17355    | Pump housing SANIPUMP® ZFS 71                      | 1        |
| 15   | 17353    | Cutting plate SANIPUMP® ZFS 71                     | 1        |
| 16   | 17354    | Cutting knife SANIPUMP® ZFS 71                     | 1        |
| 17   | 11822    | O-ring 160 x 3,5-NBR70                             | 1        |
| 18   | 11629    | O-ring 147 x 3                                     | 1        |
| 19   | 11672    | Sealing ring 8x14x1 Cu                             | 1        |
| 20   | 11659    | Handle   | 1        |
| 21   | 10666    | Hexagonal socket head screw M6x12-A2 DIN 912       | 2        |
| 22   | 17375    | Shim ring 10x30x0,1 1.4301                         | 2        |
| 22   | 17376    | Shim ring 10x30x0,5 1.4301                         | 2        |
| 23   | 11656    | O-ring 125x2-NBR70                                 | 1        |
| 24   | 11646    | Sealing ring 17x22x1,5 Cu for Pos 230              | 2        |
| 70   | 11645    | Tooth lock washers S8x13x0,8 A2                    | 4        |
|      | 11690    | Wisura technical white oil NFW                     | 0,4L     |



|   |             |
|---|-------------|
| <b>1. SÄKERHET</b> .....  | <b>s.18</b> |
| 1.1 Identifiering av varningar .....  | s.18        |
| 1.2 Behörighet och utbildning för personal .....                                | s.18        |
| 1.3 Risker om säkerhetsföreskrifterna inte följs .....                          | s.19        |
| 1.4 Arbeta säkert.....  | s.19        |
| 1.5 Säkerhetsföreskrifter för operatören/användaren .....                       | s.19        |
| 1.6 Säkerhetsföreskrifter för underhållsarbete, kontroll och<br>montering ..... | s.19        |
| 1.7 Förändring och egen tillverkning av reservdelar .....                       | s.19        |
| 1.8 Obehöriga driftsätt.....  | s.19        |
| <b>2. ALLMÄNT</b> .....   | <b>s.20</b> |
| 2.1 Introduktion .....  | s.20        |
| 2.2 Frågor och beställningar .....  | s.20        |
| 2.3 Tekniska data .....   | s.20        |
| 2.4 Tillämpningsområde .....  | s.21        |
| 2.5 Leveransens innehåll .....  | s.21        |
| <b>3. TRANSPORT/TILLFÄLLIG FÖRVARING</b> .....                                  | <b>s.21</b> |
| 3.1 Transport.....  | s.21        |
| 3.2 Tillfällig förvaring, bevarande .....                                       | s.21        |
| <b>4. BESKRIVNING</b> .....   | <b>s.21</b> |
| 4.1 Allmän beskrivning.....   | s.21        |
| 4.2 Konstruktion och funktion .....   | s.21        |
| <b>5. INSTALLATION</b> .....  | <b>s.22</b> |
| 5.1 Förberedande arbete.....  | s.22        |
| 5.2 Montering .....   | s.22        |
| <b>6. IDRIFTTAGNING</b> .....   | <b>s.24</b> |
| <b>7. UNDERHÅLL/SERVICE</b> .....   | <b>s.24</b> |
| 7.1 Schema för kontroll och underhåll .....                                     | s.24        |
| 7.2 Underhålls- och kontrollmoment.....   | s.25        |
| <b>8. DRIFTSTÖRNING : ORSAKER OCH ÅTGÄRDER</b> ..                               | <b>s.25</b> |
| <b>9. GARANTI</b> .....   | <b>s.26</b> |
| <b>10. TEKNISKA ÄNDRINGAR</b> .....   | <b>s.26</b> |
| Bilaga A : Mått.....  | s.27        |
| Bilaga B : Prestandakurvor .....  | s.29        |
| Bilaga C : Lista över reservdelar .....   | s.29        |
| Bilaga D : Sektionsritning och Lista över reservdelar till pumpen ...           | s.30        |

# 1. SÄKERHET

## VARNING

Denna enhet kan användas av barn från och med 8 års ålder och av personer med reducerad fysisk, sensorisk eller mental förmåga eller av personer med bristande erfarenhet och kunskap, om de får vederbörlig tillsyn eller om de får instruktioner om hur enheten ska användas på ett säkert sätt och om man har förstått de risker som användningen innebär. Barn ska inte leka med enheten. Rengöring och underhåll bör inte utföras av barn utan tillsyn.

## ELEKTRISK ANSLUTNING :

Elanslutningen måste göras av en utbildad och behörig elektriker. Strömförsörjningskretsen måste vara ansluten till jord (klass I) och skyddas av en känslig jordfelsbrytare (30 mA). Enheter utan uttag måste anslutas till en huvudbrytare på strömförsörjningen som bryter alla poler (minsta kontaktavstånd 3 mm).

Anslutningen ska endast användas till enheten.

Om strömkabeln är skadad måste den bytas ut av tillverkaren, dess kundservice eller någon med liknande kvalifikationer för att undvika fara.

Denna bruksanvisning innehåller viktiga instruktioner som måste följas vid placering, drift och underhåll. Av denna anledning måste den alltid läsas av installatören före installationen och idrifttagningen, samt av ansvariga specialister/operatörer. Den måste alltid finnas tillgänglig på platsen för drift/installation.

Det är inte bara de allmänna säkerhetsanvisningarna i avsnitt 1. Säkerhet som måste följas, även de särskilda säkerhetsinstruktionerna som finns i andra delar, exempelvis för hushållsbruk, måste följas.

### 1.1 Identifiering av varningar



#### Fara

Symbolen anger att en stora fara föreligger som kan leda till döden eller allvarliga skador om den inte undviks.



#### Farligt område

Symbolen anger att en fara föreligger som kan leda till döden eller skador.



#### Farlig elektrisk spänning

Symbolen anger att en elektrisk fara föreligger och ger information om skydd mot elektrisk spänning.

OBSERVERA



#### Materiella skador

I kombination med nyckelordet OBSERVERA anger symbolen att en fara föreligger för maskinen och dess funktion.

Instruktionerna som finns angivna på maskinen, exempelvis en pil som visar rotationsriktningen och vätskeanslutningar, måste följas och bevaras i läsbart skick.

### 1.2 Behörighet och utbildning för personal

Personalen som ansvarar för drift, underhåll, kontroll och montering måste ha lämpliga

kvalifikationer för detta arbete. Ansvarsområde, kompetens och övervakning av personal måste preciseras av operatören. Om personalen inte har den nödvändiga kunskapen måste de få utbildning. Vid behov kan den genomföras av tillverkaren/leverantören på operatörens begäran. Operatören måste säkerställa att personalen förstår allt innehåll i bruksanvisningen.

### **1.3 Risker om säkerhetsföreskrifterna inte följs**

Att ignorera säkerhetsföreskrifterna kan medföra att både personer, miljön och maskinen utsätts för fara. Att ignorera säkerhetsföreskrifterna kan leda till att alla skadeståndsanspråk blir ogiltiga. Om föreskrifterna inte följs kan det exempelvis medföra följande faror :

- betydande fel på maskinen/anläggningen;
- fel i föreskrivna metoder för underhåll och service;
- fara för personer orsakade av åtgärder av elektrisk, mekanisk eller kemisk natur;
- fara för miljön genom utsläpp av farliga ämnen.

### **1.4 Arbeta säkert**

Förutom de säkerhetsföreskrifter som finns i denna bruksanvisning, finns det gällande nationella regler för förebyggande av olyckor och regler för säkerhet, arbete och interna funktioner hos operatören som måste följas.

### **1.5 Säkerhetsföreskrifter för operatören/användaren**

- Om varma och kalla delar utgör faror, måste de säkras mot beröring av kunden.
- Skyddet mot oavsiktlig kontakt med maskinens rörliga delar får inte avlägsnas under driften.
- Läckage (exempelvis från axeltätningen) av farliga material som transporteras (exempelvis som är explosiva, giftiga eller heta) måste avlägsnas för att inte äventyra människor och miljö. De juridiska bestämmelserna måste följas.
- Risker på grund av elektricitet måste undvikas (för mer information om detta område, se gällande bestämmelser och information från lokala el-leverantörer).

### **1.6 Säkerhetsföreskrifter för underhållsarbete, kontroll och montering**

Operatören måste säkerställa att allt underhåll, kontroller och montering utförs av kvalificerad och behörig personal, som har informerats genom att ha gått igenom bruksanvisningen.

Arbete på maskinen ska huvudsakligen utföras när den är stoppad. Proceduren för att stänga av maskinen, som beskrivs i bruksanvisningen, måste följas.

Pumpar eller grupper av pumpar som pumpar undan vätskor som är farliga för hälsan måste dekontamineras. Omedelbart efter åtgärderna måste alla skydds- och säkerhetsanordningar sättas tillbaka eller sättas i funktion igen.

Innan driftsättning måste punkterna i avsnitt 6. *Idrifttagning* ha gått igenom .

### **1.7 Förändring och egen tillverkning av reservdelar**

Ändring eller modifiering av maskinen är endast tillåten efter samråd med tillverkaren. Endast originalreservdelar och tillbehör som har godkänts av tillverkaren kan garantera säkerheten. Användning av andra delar kan leda till att ansvaret för följskador upphör att gälla.

### **1.8 Obehöriga driftsätt**

De levererade maskinernas driftsäkerhet kan endast garanteras om de används i enlighet med avsnitt 2. *Allmänt* i bruksanvisningen. De gränsvärden som anges i den tekniska informationen får inte överskridas.

## 2. ALLMÄNT

### 2.1 Introduktion

Denna bruksanvisning avser stationer för pumpning av loppsvatten med maceratorpump(ar) i serien SANICUBIC® GR.

**Om inte denna bruksanvisning följs, i synnerhet säkerhetsföreskrifterna, och om enheten har förändrats på eget bevåg, eller om inte originalreservdelar används, förfaller alla garantikrav automatiskt. Tillverkaren ansvarar inte för skador till följd av detta!**

**Precis som alla andra elektriska apparater kan denna produkt också sluta fungera på grund av avsaknad av nätspänning eller ett tekniskt fel. Om detta skulle kunna medföra skada för er ska det finnas tillgängligt en nödenhet, en manuell membranpump, en andra installation (dubbel installation) och/eller en larmanordning som är oberoende av nätet, beroende på användningsområde. Som tillverkare står vi till ert förfogande för rådgivning, även efter köpet. I händelse av fel eller skador, kontakta din återförsäljare.**

### Produkter i serien :

|                          |                          |
|--------------------------|--------------------------|
| SANICUBIC® 1 GR SE71.1 S | SANICUBIC® 2 GR SE71.1 T |
| SANICUBIC® 1 GR SE71.1 T | SANICUBIC® 2 GR SE71.2 T |
| SANICUBIC® 1 GR SE71.2 T | SANICUBIC® 2 GR SE71.3 T |
| SANICUBIC® 1 GR SE71.3 T | SANICUBIC® 2 GR SE71.4 T |
| SANICUBIC® 1 GR SE71.4 T |                          |

### 2.2 Frågor och beställningar

Vänligen skicka era frågor och beställningar till er specialiserade återförsäljare.

### 2.3 Tekniska data

| SANICUBIC® GR Typ | Ineffekt P1 [kW] | Märkeffekt P2 [kW] | Spänning U [V] | Nominell ström I <sub>N</sub> [A] | Rotationshastighet 50 Hz [n <sup>-1</sup> ] | Fläns pump | Inlopp                                | Höjd för inlopp h [mm] |
|-------------------|------------------|--------------------|----------------|-----------------------------------|---|------------|---------------------------------------|------------------------|
| SE71.1 S          | 2,2              | 1,7                | 230            | 10,5                              | 2 800                                       | DN 50      | Enkel pump :<br>DN 100<br>DN 50/100   | 250                    |
| SE71.1 T          | 2,1              | 1,7                | 400            | 3,7                               | 2 800                                       | DN 50      |                                       | 576                    |
| SE71.2 T          | 2,1              | 1,7                | 400            | 3,7                               | 2 800                                       | DN 50      | Dubbel pump :<br>DN 100<br>DN 100/150 | 250                    |
| SE71.3 T          | 3,9              | 3,2                | 400            | 6,5                               | 2 800                                       | DN 50      |                                       | 586                    |
| SE71.4 T          | 3,9              | 3,2                | 400            | 6,5                               | 2 800                                       | DN 50      |                                       |                        |

Maximal vätsketemperatur : 55°C

Minsta diametern av införingsöppningen för den fullständiga enda pumpstation : 600 mm

### Material

|                                |                |                               |                   |
|--------------------------------|----------------|-------------------------------|-------------------|
| <b>Tank</b>                    | PE LD          | <b>Maceratorhjul</b>          | rostfritt stål    |
| <b>Pumphus.</b>                | GG 20          | <b>Drivaxel</b>               | rostfritt stål    |
| <b>Drivhjul</b>                | GG 20          | <b>Packningar</b>             | NBR, FPM          |
| <b>Kopplingsstöd</b>           | GG 20          | <b>Tätning av kiselkarbid</b> | SiC (Kiselkarbid) |
| <b>Fläns för maceratorhjul</b> | rostfritt stål |                               |                   |

## 2.4 Tillämpningsområde

Pumpstationer för avloppsvatten i serien SANICUBIC® GR används för att avlägsna (uppsamling och bortforsling) av avloppsvatten från hushåll och industrier (inklusive fekalier), beläget ovanför avloppets återflödesnivå.

**Användningsbegränsningar :**

- **Pumpstationen är inte avsedd för kontinuerlig drift! Pumpuppgifterna som finns angivna på märkskylten gäller endast vid intermittent drift (S3 25 %).**
- **Det maximala inflödet måste alltid vara lägre än pumpflödet till den beräknade tryckhöjden (se typskylten).**

**Följande vätskor och ämnen är förbjudna :**

- **fasta ämnen, fibrösa material, tjära, sand, cement, aska, grovt papper, engångstorkdukar, kartong, skräp, avfall, inälvor, fetter, oljor.**
- **alla produkter från utsläpp av avloppsvatten ovanför återflödesnivån (EN 12 056-1).**
- **avloppsvatten som innehåller farliga ämnen (DIN 1986-100), exempelvis obehandlat fetthaltigt avloppsvatten från restauranger. De kräver installation av en fettavskiljare enligt standarden DIN 4040-1.**

## 2.5 Leveransens innehåll

Pumpstationer för avloppsvatten i serien SANICUBIC® GR levereras med :

- en eller flera pumpar med inbyggt maceratorhjul ur serien SANIPUMP® ZFS 71,
- en anslutning för nödtömning eller en manuell membranpump,
- pneumatisk styrning och ett elskåp,
- en böjlig slang för ventilation av tanken,
- en utloppsboj DN 32,
- en eller flera kulventiler DN 32,
- ett grenrör DN 32/50/32 (endast för dubbla installationer).

# 3. TRANSPORT/TILLFÄLLIG FÖRVARING

## 3.1 Transport

Pumpstationer för avloppsvatten i serien SANICUBIC® GR får varken kastas eller falla. De måste transporteras horisontellt.

## 3.2 Tillfällig förvaring, bevarande

När de lagras ska de förvaras på en plats som är sval, skyddad från ljus, torr och skyddad från frost. Anläggningarna ska hållas horisontella.

# 4. BESKRIVNING

## 4.1 Allmän beskrivning

Pumpstationer för avloppsvatten i serien SANICUBIC® GR kan vara enkla eller dubbla och som är färdiga för anslutning, de kan dränkas under kort tid och har en uppsamlingstank av plast som inte släpper ut gaser och lukter. De använder vertikala maceratorpumpar, med automatisk pneumatisk nivåreglering. De är utrustade med nivågivare och tillhörande styrhöljen.

## 4.2 Konstruktion och funktion

Självfall medför att avloppsvattnet strömmar in i pumpstationen SANICUBIC® GR.

Tanken är konstruerad för att **fungera utan tryck**, det vill säga avloppsvattnet som rinner in samlas upp tillfälligt utan tryck, och skickas sedan vidare i ledningen mot kloaksystemet.

Vattnet stiger i stigröret som är påskruvat på den övre delen av tanken och komprimerar luften inuti

tills trycket påverkar omkopplaren i elskåpet. Pumpen aktiveras och skjuter ut vattnet ur behållaren via utloppsledningen till kloaksystemet högre upp.

I de dubbla pumpmodellerna arbetar pumparna växelvis. Om det blir alltför hög nivå i tanken aktiveras den andra.

En stoppventil, två på dubbla anläggningar, förhindrar återflöde av vatten från utloppsledningen till tanken. Styrboxen är försedd med en larmljuds signal, som aktiveras vid fel på en eller flera pumpar, eller då vattennivån är alltför hög i tanken. Det finns även larmkontakter för att koppla in externa larmanordningar (exempelvis ringsignal). Deras placering visas på kopplingsdiagrammet för distributionsanordningen.

## 5. INSTALLATION

### 5.1 Förberedande arbete

Om pumpstationen fungerar bra beror huvudsakligen på om följande monteringsregler följs :

- En plats som är välventilerad, torr och skyddad från frost ska användas för monteringen.
- Monteringsplatsen måste vara tillräckligt stor. Höjden bör vara cirka 2-2,5 m. Enligt DIN 1986 del 3 : «Tillgängligheten till alla delar av anläggningen...[och]...alla styrenheter måste garanteras och måste kunna manövreras utan svårigheter... Anläggningen ska inte blockeras av lagrade varor, möbler, eller något liknande...»
- Golvet i lokalen måste kunna bära belastningen från hela anläggningen.
- I underjordiska lokaler eller där det finns risk för läckage bör man placera en dräneringspump i ett manhål.
- En krok i taket över enheten gör det möjligt att lyfta, installera samt underhålla och reparera pumparna.
- Innan monteringen påbörjas ska alla dimensioner på rör och konstruktioner kontrolleras och jämföras med anläggningens dimensioner. Det måste säkerställas att matningsledningen inte ligger lägre än stationens inloppsöppning.

### 5.2 Montering

Vid installationen måste man se till att de olika rören och fästpunkterna inte blir klämda och att de är helt täta.

#### 5.2.1 Uppställning

Pumpstationer för avloppsvatten i serien SANICUBIC® GR placeras utifrån hur eventuella befintliga rör är placerade. De måste placeras exakt horisontellt och fästas i golvet med hjälp av de medföljande fästskruvarna. DIN 19 760 del 1 :« ... Pumpstationen för fekalier ska vara säkrad av kunden med hjälp av lämpliga fästordningar, som hindrar vridning och att den börjar att flyta... ».

#### 5.2.2 Inloppsledning

##### OBSERVERA

Lutningen på matningsledningarna ska vara minst 3 % för att säkerställa att vattnet rinner mot stationen.



Anslut matningsledningarna genom att såga till ledningarnas öppning. För sedan in matningsledningen i öppningen. Pumpinloppet bakom en dubbelstation ska öppnas med hjälp av en såg. **Använd inte** en hammare!

## VIKTIGT!

Vid anslutning till en sidoinloppsöppning som är mindre än 250 mm, se till att nivågivaren är inställd så att den fungerar normalt innan pumpen tas i drift. Vattennivån i tanken stiger något över den nedre kanten på matarledningen och upp till maximalt halva ledningen. Vattennivån kommer att överstiga djupare liggande rörledningar. Detta kan leda till att det bildas avlagringar av smuts i inloppen och i extrema fall till igensättning av ledningen. Det är därför lämpligt, om det är möjligt, att inloppsöppningen är högre.

### **5.2.3 Tryckledning**

Vid utgången från pumpens horisontella utlopp är den böjda flänsen DN 32 900 monterad och ändarna avslutas med en 5/4"-gänga.

Det är nödvändigt att montera backventilen (ingår i leveransen) på pumpstationens utloppsledning. DIN 19 760 del 3 : «...en anordning mot återflöde ska förhindra återflöde av avloppsvatten i utloppsledningen efter att pumpningen har stoppats. När utpumpningscykeln påbörjas ska anordningen mot återflöde öppnas automatiskt...».

Det rekommenderas att montera backventilen efter kulventilen, för att underlätta rengöring och eventuellt byte av backventilen.

Till dubbla pumpstationer medföljer ett grenrör med utloppsöppning DN50 (fläns).

För att förhindra risken för återflöde av vatten från uppsamlingen, installera utloppsröret i en slinga så att dess bas vid dess högsta punkt är belägen ovanför återflödesnivån. Rörledning och delar ska, vid behov, förstärkas med fästkragar för rör eller fribärande balkar.

### **5.2.4 Ventilationsledning**

Anslut avluftningsröret, Ø 75mm, till stationen. Antingen till byggnadens ventilation eller separat ut över yttertaket.

### **5.2.5 Elektrisk anslutning**

#### **Säkerhetsföreskrifter :**

- **All elektrisk utrustning som används måste uppfylla standarden IEC 364 /VDE 0100, vilket exempelvis innebär att eluttagen ska vara utrustade med jord.**
- **Den elektriska anslutningen får endast utföras av en elektriker! Gällande bestämmelser för 0100 VDE ska följas!**
- **Det elektriska nätet som anläggningen är ansluten till ska vara utrustad med en mycket känslig jordfelsbrytare som löser ut för <30 mA före styrenheten, eller, för att förhindra fel på styrenheten om jordfelsbrytaren löser ut, ska en jordfelsbrytare per pump installeras mellan styrenheten och pumpen. Vid installation i bad- eller duschrum ska bestämmelserna DIN VDE 0100 del 701 följas.**
- **Följ kraven i standarden EN 12 056-4.**
- **Vid anslutning till växelström ska den säkras externt med en K-klassad automatsäkring med tre mekaniska poler. På detta sätt kopplas nätverket bort och tvåfasfunktionen är utesluten.**
- **All elektrisk utrustning, som styrenhet, larm och eluttag måste installeras i torra utrymmen och skyddas mot översvämning.**
- **Obs! Koppla bort anläggningen från nätet innan pumpen monteras eller demonteras, eller något arbete utförs på den.**
- **Motorn kan överhettas vid överbelastning. Vid överhettning ska du aldrig vidröra den heta motorn.**
- **Om du använder en förlängningsladd måste den matcha den medföljande anslutningskabeln.**

Styrboxen måste placeras så att luftslangen och stigröret fortfarande är riktade uppåt. Annars kan inte styrenhetens funktion garanteras.

Anslut anläggningens uttag (CEE-uttag eller uttag med jord för enkel installation) före idrifttagning.

Anslut de dubbla anläggningarna direkt till elnätet. Se alltid till att den elektriska installationen uppfyller gällande VDE-regler. Kopplingsdiagrammet för pumpstationen finns tillgängligt i elskåpet och ska finnas där för att underlätta arbetet för underhållspersonalen och kundservice.

## 6. IDRIFTTAGNING

Före driftsättning, kontrollera igen att anläggningen är korrekt monterad och att alla anslutningar är täta. Öppna låsventilerna.

Sätt i kontakten i uttaget (enkelt system) eller slå på den elektriska spänningen (dubbel installation). Kontrollera pumpens rotationsriktning vid trefasinstallation. Utför detta genom att kort slå över omkopplaren manuell/0/automatisk till manuell. När motorn stannar jämför du rotationsriktningen med rätt rotationsriktning (pil indikerar rotationsriktningen) på luckan på den övre delen. Om pumpen roterar i motsatt riktning, byt två av de tre faserna.



**Innan du arbetar på elsystemet, koppla bort nätanslutningen!**

Styrenheten är förinställd för användning av DN 100 matarledning och en matningshöjd på 250 mm. Om endast det övre inloppet används kan andra omkopplingspunkter ställas in på styrenheten för att öka den kvarhållna volymen.

| Minimitillförselhöjd | Nivå AV<br>N1 | Nivå PÅ<br>N2 | Nivå PÅ N3<br>Endast dubbel<br>installation | Hög<br>vattennivå<br>HW | Utbytesvolym<br>enkel/dubbel |
|----------------------|---------------|---------------|---|-------------------------|------------------------------|
| 250 mm               | 3 cm          | 14 cm         | 16 cm                                       | 18 cm                   | 26 L / 47 L                  |
| 428 mm               | 3 cm          | 25 cm         | 26 cm                                       | 29 cm                   | 45 L / 80 L                  |

Tryck på knappen eller knapparna för automatisk och genomför en testkörning. Fyll uppsamlingstanken via det normala inloppet (handfat, toaletter etc.). Anläggningen ska automatiskt starta, tömma tanken och sedan stängas av. Efter avstängningen ska vattnet inte strömma tillbaka från utloppsledningen till tanken. På dubbla installationer ska de två pumparna starta växelvis.

Fördröjningstiden ska justeras utifrån anläggningens villkor och höjden på utloppet, så att pumpen tömmer uppsamlingstanken maximalt och endast bullrar under korta stunder (högre ljud under pumpningen). Stigröret ska inte vara nedsänkt i vätskan när pumpningen är klar (0 cm visas på styrenheten). Fördröjningstiden kan ändras på styrboxen.

Sätt omkopplaren manuell/0/automatisk på automatisk och genomför en testkörning. Fyll uppsamlingstanken via det normala inloppet (handfat, toaletter etc.). Anläggningen ska automatiskt starta, tömma tanken och sedan stängas av. Efter avstängningen ska vattnet inte strömma tillbaka från utloppsledningen till tanken och hela stigröret ska vara ovanför vattnet. Om det inte är så, förläng fördröjningstiden.

Kontrollera att alla rör och anslutningar är täta under testet. Upprepa vid behov.

När anläggningen fungerar korrekt kan du sätta den i automatläge.

## 7. UNDERHÅLL/SERVICE

### 7.1 Schema för kontroll och underhåll

Schema för kontroll och underhåll enligt DIN 1986 del 31 : «Pumpstationer för avloppsvatten ska kontrolleras månatligen av operatören genom att observera en pumpcykel och kontrollera tätheten [...] Underhåll av anläggningen ska utföras av en expert. Intervallen får inte överstiga :

1. Ett kvartal för industriföretag,
2. Ett halvår för flerfamiljshus,
3. Ett år för enskilt boende.»



## 7.2 Underhålls- och kontrollmoment



**Koppla ur elkontakten vid alla åtgärder!**

### 7.2.1 Uppsamlingsstank

Öppna luckan och spola tanken med en slang för att lossa avlagringar på tankens väggar.

### 7.2.2 Övrigt

Eventuellt ytterligare underhållsarbete måste utföras av kundservice.

## 8. DRIFTSTÖRNING : ORSAKER OCH ÅTGÄRDER



**Koppla ur elkontakten vid alla åtgärder!**

| Fel  | Orsak   | Lösning  |
|--|---|--|
| 1. Motorn startar inte                             | <ul style="list-style-type: none"><li>- för låg eller saknad spänning</li><li>- felaktig nätanslutning</li><li>- felaktig nätkabel</li><li>- kondensatorfel (endast på enfasmotor)</li><li>- rotorn eller hjulet blockerat</li><li>- motorkontakter inaktiverade på grund av överhettning; blockering, spänningsfel</li><li>- styrfel/defekt pressostat</li><li>- läcka i tryckluftsslang eller anslutning</li><li>- motorfel</li></ul> | <ul style="list-style-type: none"><li>- kontrollera matningen</li><li>- åtgärda</li><li>- ersättning/kundservice</li><li>- ersättning/kundservice</li><li>- rengör</li><li>- kontrollera/kundservice</li><li>- kontrollera/kundservice</li><li>- kontrollera/ersättning</li><li>- ersättning/kundservice</li></ul> |
| 2. Motorn är igång men pumpar inte ut någon vätska | <ul style="list-style-type: none"><li>- hjulet blockerat eller slitet</li><li>- backventil blockerad</li><li>- stoppventil blockerad eller stängd</li><li>- utloppsledning blockerad</li><li>- insugsrör blockerat</li><li>- fel rotationsriktning</li><li>- brist på vatten i tanken</li><li>- tankens ventilation blockerad</li><li>- töm huset för den blockerade pumpen</li></ul>   | <ul style="list-style-type: none"><li>- rengör/ersättning</li><li>- rengör</li><li>- rengör/öppen</li><li>- rengör</li><li>- rengör</li><li>- åtgärda</li><li>- stäng av/kundservice</li><li>- rengör</li><li>- rengör</li></ul>   |
| 3. Motorn startar och stannar                      | <ul style="list-style-type: none"><li>- felaktig eller fluktuerande spänning</li><li>- termobrytare felaktigt monterad</li><li>- för hög strömförbrukning</li></ul>   | <ul style="list-style-type: none"><li>- åtgärda/kundservice</li><li>- kontrollera/kundservice</li><li>- kundservice</li></ul>  |
| 4. Motorn stannar inte                             | <ul style="list-style-type: none"><li>- styrenhetsfel</li><li>- felaktig tryckkontakt</li></ul>   | <ul style="list-style-type: none"><li>- kundservice</li><li>- ersättning/kundservice</li></ul>   |

## **9. GARANTI**

---

Som tillverkare lämnar vi en garanti på 24 månader från dagen då denna enhet köptes.

Din faktura är beviset. Under garantiperioden åtgärdar vi samtliga fel kostnadsfritt, enligt eget godtycke genom reparation eller utbyte, som har uppstått på grund av fel på material eller tillverkning.

Skador på grund av felaktig användning eller slitage är undantagna från garantin.

Vi tar inget ansvar för följskador på grund av fel på utrustningen.

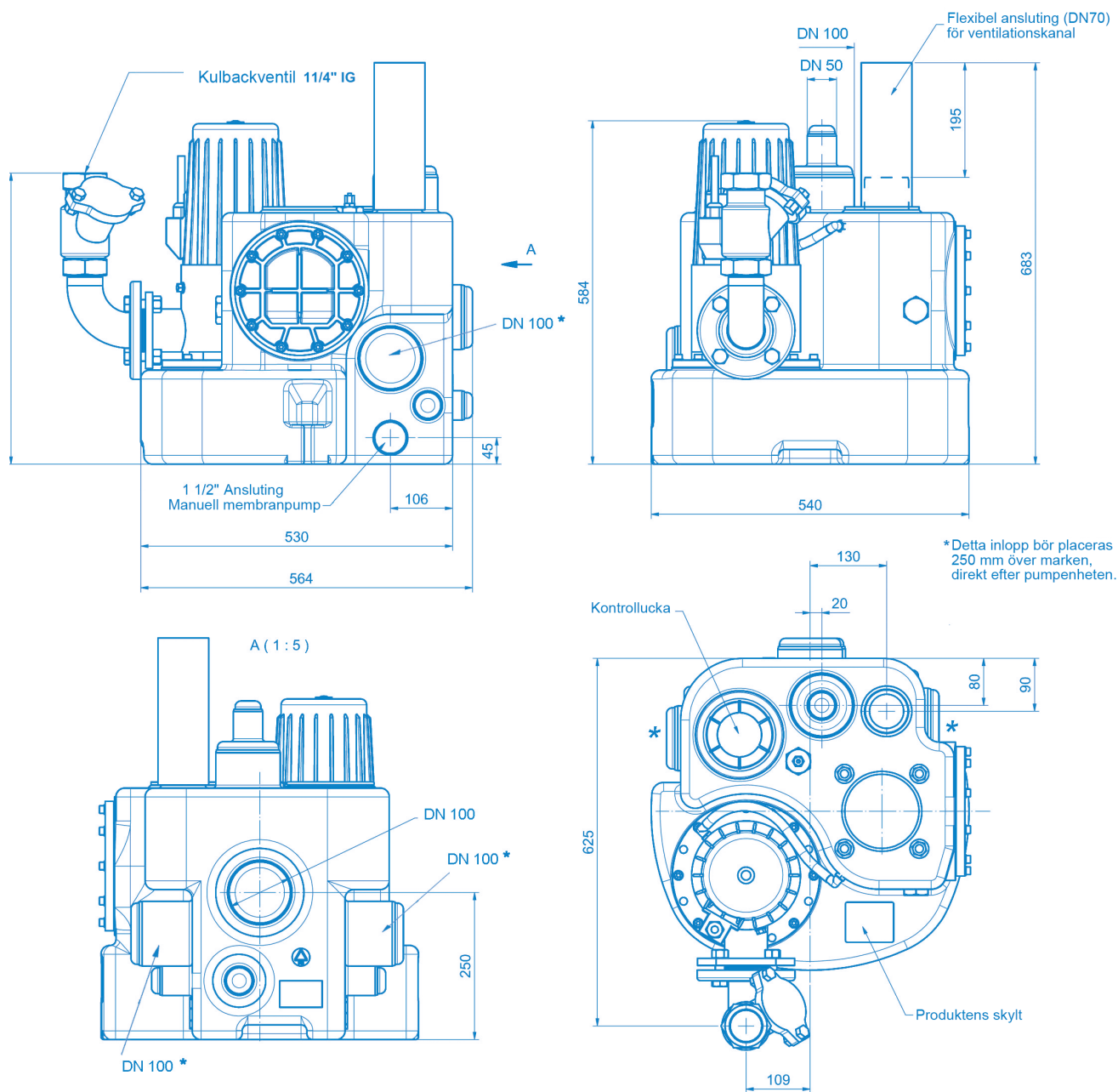
## **10. TEKNISKA ÄNDRINGAR**

---

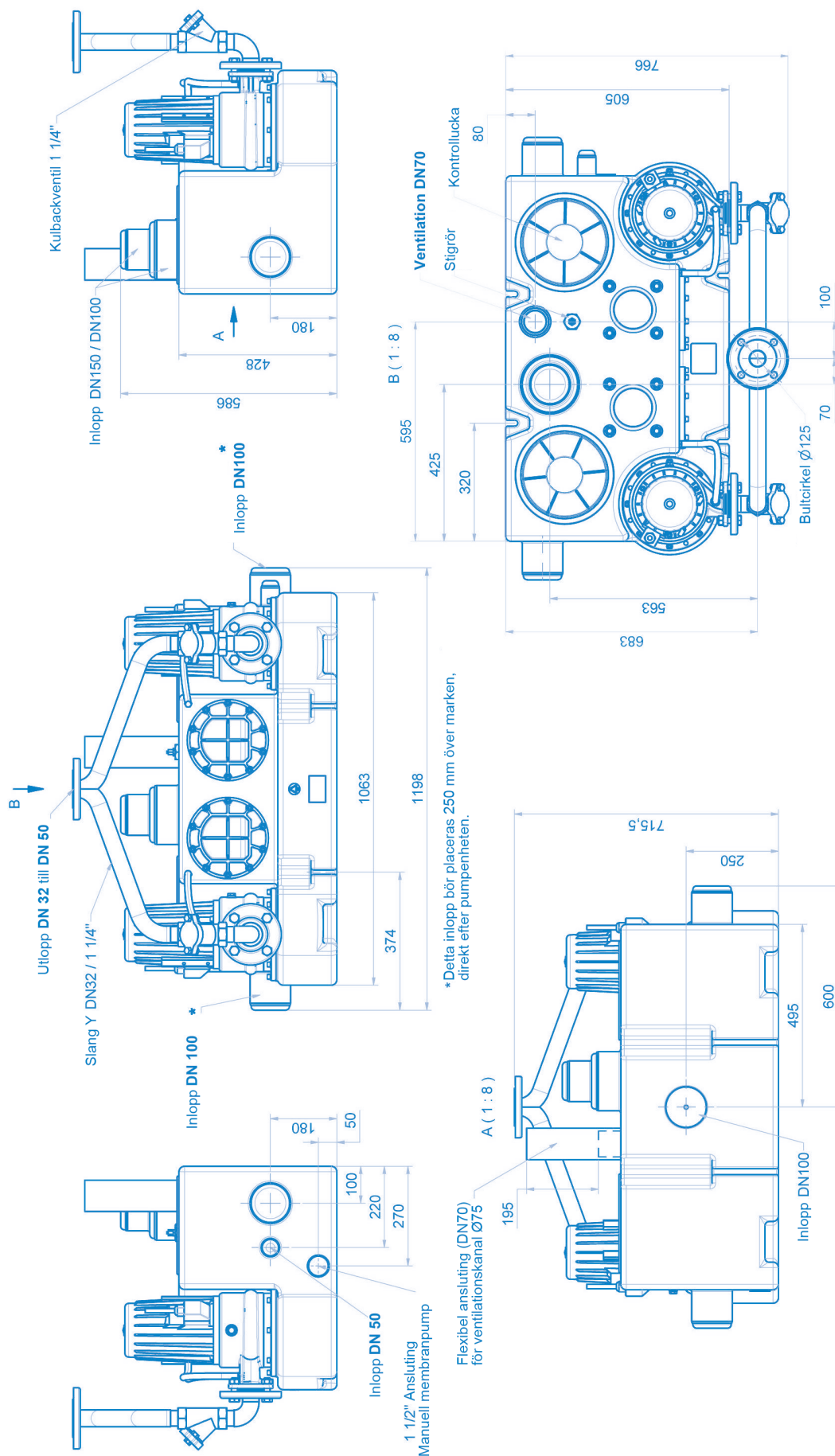
Vi förbehåller oss rätten att göra tekniska ändringar för att förbättra tekniken.

# Bilaga A : Mått

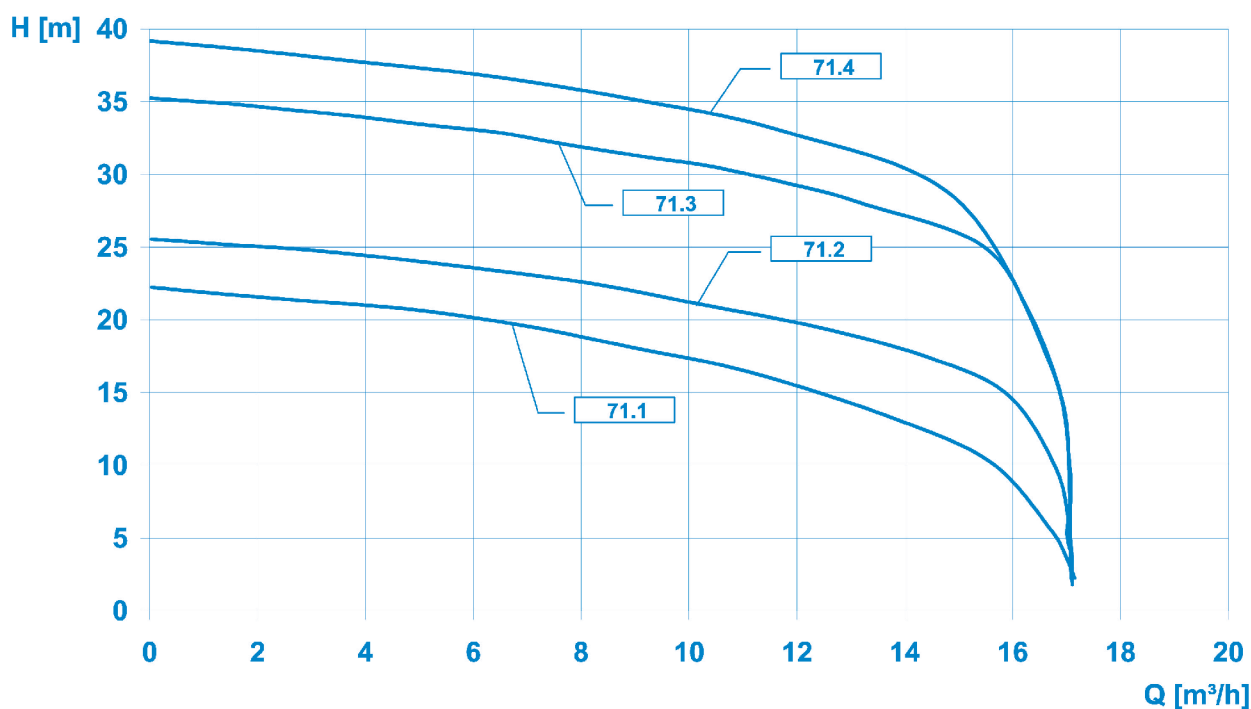
## SANICUBIC® 1 GR



# SANICUBIC® 2 GR



## Bilaga B : Prestandakurvor

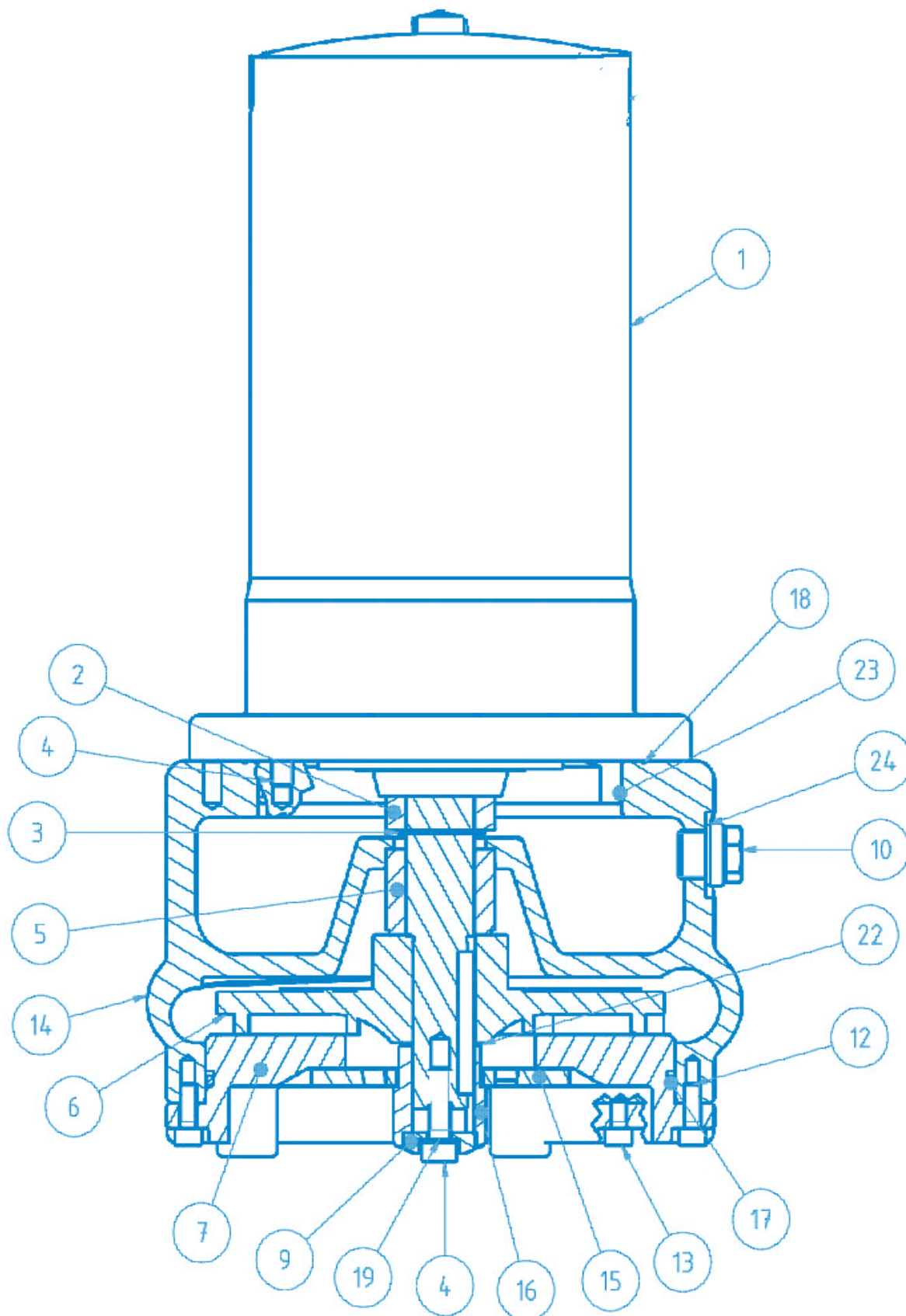


## Bilaga C : Lista över reservdelar

| Kvantitet | Namn   | Artikelreferens |
|-----------|--|-----------------|
| 1         | Tank SANICUBIC® GR SE71                            | 117337          |
| (1)       | Tank SANICUBIC® 2 GR SE71                          |                 |
| 1 (2)     | Sugmunn SANICUBIC® GR SE71                         | 17481           |
| 1 (2)     | Rak slang R 3/8"                                   | 117191          |
| 1         | Komplett stigrör                                   | 60219           |
| 1         | Kontrollucka med tätningar                         | 117012          |
| (2)       | Kontrollucka för dubbel installation               |                 |
| (2)       | Tätningar för kontrollucka för dubbel installation |                 |
| 1         | Styrbox SANICUBIC® GR SE71 230 V                   | 200102          |
| 1         | Styrbox SANICUBIC® GR SE71 400 V                   | 255302          |
| (1)       | Styrbox SANICUBIC® 2 GR SE71 400 V                 |                 |

## Bilaga D : Sektionsritning och Lista över reservdelar till pumpen

### Sektionsritning av pumpen



## Lista över reservdelar (till pumpen)

| Pos. | Artikelref. | Namn   | Kvantitet |
|------|-------------|--|-----------|
|      | 17749       | Pump för SANICUBIC® 1 GR SE71.1 S                            | 1         |
|      | 17463       | Pump för SANICUBIC® GR SE71.1 T                              | 1 (2)     |
|      | 17562       | Pump för SANICUBIC® GR SE71.2 T                              | 1 (2)     |
|      | 17563       | Pump för SANICUBIC® GR SE71.3 T                              | 1 (2)     |
|      | 17564       | Pump för SANICUBIC® GR SE71.4 T                              | 1 (2)     |
| 1    | 17587       | Motor täckt med ett hölje SANICUBIC® 1 GR SE71.1 S           | 1         |
| 1    | 17586       | Motor täckt med ett hölje SANICUBIC® GR SE71.1 T et SE71.2 T | 1         |
| 1    | 17588       | Motor täckt med ett hölje SANICUBIC® GR SE71.3 T et SE71.4 T | 1         |
| 2    | 17356       | GLRD LD1/25-G38 motorsida                                    | 1         |
| 3    | 11679       | Tätning DIN471-A25x1,2                                       | 1         |
| 4    | 16381       | Insexskruv M8x25-A2  | 5         |
| 5    | 17377       | GLRD MG1/25-G6 vätskesida                                    | 1         |
| 6    | 17373       | Rotor SANIPUMP® ZFS 71.1 Ø135                                | 1         |
| 6    | 17371       | Rotor SANIPUMP® ZFS 71.2 Ø145                                | 1         |
| 6    | 17372       | Rotor SANIPUMP® ZFS 71.3 Ø160                                | 1         |
| 6    | 17351       | Rotor SANIPUMP® ZFS 71.4 Ø170                                | 1         |
| 7    | 17391       | Monteringslock SANIPUMP® ZFS 71 på tank                      | 1         |
| 8    | 17109       | Försänkt skruv M5x10-A2 DIN965                               | 3         |
| 9    | 17352       | Anslutning fäst på maceratorhjulet SANIPUMP® ZFS 71          | 1         |
| 10   | 11640       | Skruvlock G 3/8 (Ventilation)                                | 1         |
| 10   | 11639       | Skruvlock G3/8 DIN910 (olja)                                 | 1         |
| 11   | 11663       | Skruvögla DIN 580-M8-A2                                      | 1         |
| 12   | 15320       | Insexskruv M6x20-A2  | 4         |
| 13   | 10008       | Insexskruv M6x10-A2  | 4         |
| 14   | 17355       | Pumphus SANIPUMP® ZFS 71                                     | 1         |
| 15   | 17353       | Kapskiva SANIPUMP® ZFS 71                                    | 1         |
| 16   | 17354       | Maceratorhjul SANIPUMP® ZFS 71                               | 1         |
| 17   | 11822       | O-ring 160 x 3,5-NBR70                                       | 1         |
| 18   | 11629       | O-ring 147 x 3   | 1         |
| 19   | 11672       | Tätningsring 8x14x1 Cu                                       | 1         |
| 20   | 11659       | Bärhandtag   | 1         |
| 21   | 10666       | Insexskruv M6x12-A2 DIN 912                                  | 2         |
| 22   | 17375       | Justeringsbricka 10x30x0,1 1.4301                            | 2         |
| 22   | 17376       | Justeringsbricka 10x30x0,5 1.4301                            | 2         |
| 23   | 11656       | O-ring 125x2-NBR70   | 1         |
| 24   | 11646       | Tätningsring 17x22x1,5 Cu pour Pos 230                       | 2         |
| 70   | 11645       | Tandad låsbricka S8x13x0,8 A2                                | 4         |
|      | 11690       | Teknisk vitolja Wisura NFW                                   | 0,4L      |

|   |             |
|---|-------------|
| <b>1. SIKKERHET</b> .....   | <b>s.33</b> |
| 1.1 Advarsler.....  | s.33        |
| 1.2 Kvalifisering og opplæring av personell .....                             | s.33        |
| 1.3 Følger og farer ved å avvike fra serviceveiledningen .....                | s.34        |
| 1.4 Arbeid i full sikkerhet.....  | s.34        |
| 1.5 Sikkerhetsinstruksjoner for operatør/bruker.....                          | s.34        |
| 1.6 Sikkerhetsinstruksjoner for vedlikehold, inspeksjon<br>og montering ..... | s.34        |
| 1.7 Vilkårige modifikasjoner og framstilling av reservedeler.....             | s.34        |
| 1.8 Ikke godkjent bruk.....   | s.34        |
| <b>2. ALLMENN</b> .....   | <b>s.35</b> |
| 2.1 Introduksjon.....   | s.35        |
| 2.2 Spørsmål og reservasjoner .....   | s.35        |
| 2.3 Driftsprinsipp .....  | s.35        |
| 2.4 Bruksområde .....   | s.36        |
| 2.5 Hva leveransen omfatter .....   | s.36        |
| <b>3. TRANSPORT/MIDLERTIDIG OPPBEVARING</b> .....                             | <b>s.36</b> |
| 3.1 Transport.....  | s.36        |
| 3.2 Midlertidig oppbevaring .....   | s.36        |
| <b>4. BESKRIVELSE</b> .....   | <b>s.36</b> |
| 4.1 Generell beskrivelse .....  | s.36        |
| 4.2 Konsept og funksjonsmåte .....  | s.36        |
| <b>5. INSTALLERING</b> .....  | <b>s.37</b> |
| 5.1 Forberedelser .....   | s.37        |
| 5.2 Montering .....   | s.37        |
| <b>6. DRIFTSSTART</b> .....   | <b>s.38</b> |
| <b>7. VEDLIKEHOLD</b> .....   | <b>s.39</b> |
| 7.1 Inspeksjons- og vedlikeholdskalender.....                                 | s.39        |
| 7.2 Vedlikeholdsarbeid.....   | s.39        |
| <b>8. FEIL : ÅRSAKER OG TILTAK</b> .....                                      | <b>s.40</b> |
| <b>9. GARANTI</b> .....   | <b>s.40</b> |
| <b>10. TEKNISKE MODIFIKASJONER</b> .....                                      | <b>s.40</b> |
| Vedlegg A : Måltegninger .....  | s.41        |
| Vedlegg B : Ytelseskurver.....  | s.43        |
| Vedlegg C : Reservedelsliste .....  | s.43        |
| Vedlegg D : Snittegning av pumpa og reservedelsliste (for pumpa)....          | s.44        |



# 1. SIKKERHET

## SIKKERHET

Dette apparatet kan ikke brukes av barn under 8 år eller av personer som har reduserte fysiske, sansemessige eller mentale evner eller mangler erfaring eller kunnskap hvis de ikke får korrekt tilsyn eller har fått instruksjoner om fullt ut sikker bruk av produktet og forstått farene som er forbundet med det. Barn skal ikke leke med apparatet. Vask og vedlikehold skal ikke utføres av barn uten tilsyn.

## ELEKTRISK TILKOBLING :

Strømmen må kobles til av en erfaren godkjent elektriker. Strømkretsen til apparatet må være jordet (klasse I) og beskyttet med en følsom jordfeilbryter (30 mA). Enheter uten stikkontakter må kobles til en hovedbryter på strømforsyningen som kobler fra alle polene (kontaktseparasjonsavstand på minst 3 mm).

Tilkoblingen skal kun brukes for å tilføre strøm til pumpen.

Hvis strømkabelen er skadd, må den byttes av produsenten, produsentens kundeservice eller personer med liknende kvalifikasjoner for å unngå personskader. Følge lokale forskrifter under installering og bruk av pumpe.

Denne brukerveiledningen inneholder viktige instruksjoner som må følges under montering, bruk og vedlikehold. Montører og ansvarlige spesialister/brukere må lese den før montering og oppstart og den må være tilgjengelig til enhver tid der hvor maskinen/installasjonen brukes.

I tillegg til sikkerhetsinstruksjonene i kapittel 1. Sikkerhet må også de spesielle sikkerhetsinstruksjonene i de andre kapitlene følges, for eksempel for privat bruk.

### 1.1 Advarsler



**FARE**

#### Fare

Dette ordet betegner en betydelig fare som kan føre til død eller alvorlig personskade.



#### Faresone

Dette symbolet og et nøkkelord betegner farer som kan føre til død eller personskader.



#### Farlig elektrisk spenning

Dette symbolet advarer om farene ved elektrisk strøm og opplyser om hvordan man kan beskytte seg mot disse farene.

**OBS**



#### Materielle skader

Dette symbolet og nøkkelordet **OBS** betegner fare for maskinskader.

Informasjon som er påført maskinen direkte, f.eks. pila som viser riktig rotasjonsretning, eller merket for væsketilkobling, må alltid holdes i leselig tilstand og følges.

### 1.2 Kvalifisering og opplæring av personell

Alle som skal bruke, vedlikeholde, inspisere og montere maskinen, må ha de nødvendige kvalifikasjonene for arbeidet. Operatøren må definere ansvarsområdet og kompetansen

til personalet og tilsynet med dem nøyaktig. Hvis personalet ikke har de nødvendige kunnskapene, må de læres opp. Om nødvendig kan dette gjøres av produsenten/leverandøren på forespørsel fra operatøren. Videre må operatøren forsikre seg om at personalet har lest og forstått innholdet av brukerveiledningen i sin helhet.

### **1.3 Faremomenter ved å ignorere sikkerhetsinstruksjonene**

Hvis sikkerhetsinstruksjonene ikke følges, kan det utsette både brukerne av maskinen og personer som oppholder seg i nærheten for fare. Hvis sikkerhetsinstruksjonene ikke følges, vil det også fritta produsenten for alt erstatningsansvar. Nærmere bestemt kan det for eksempel føre til følgende faremomenter:

- alvorlige feil ved maskinen/installasjonen;
- svikt ved de anbefalte metodene for service og vedlikehold;
- fare for personskader på grunn av elektriske, mekaniske og kjemiske påvirkninger;
- fare for miljøet på grunn av utlipp av miljøfarlige stoffer.

### **1.4 Arbeid i full sikkerhet**

I tillegg til sikkerhetsinstruksjonene i denne brukerveiledningen, må brukerne følge gjeldende nasjonale forskrifter for arbeid, sikkerhet på arbeidsplassen og bedriftens interne driftsbestemmelser.

### **1.5 Sikkerhetsinstruksjoner for operatør/bruker**

- Hvis maskindeler blir farlig varme eller kalde, må operatøren sikre dem for å hindre at personer kommer i kontakt med dem.
- Vern mot utilsiktet kontakt med bevegelige deler må aldri fjernes mens maskinen er i bruk.
- Lekkasje (f.eks. fra akseltetningen) av farlige stoffer (f.eks. eksplosiver, gifter, varme stoffer) må fjernes på en måte som ikke setter personer eller miljøet i fare. Lovens retningslinjer må følges.
- Alle faremomenter fra elektrisk energi må elimineres (se gjeldende regler og hør med lokale strømleverandører for flere opplysninger om dette).

### **1.6 Sikkerhetsinstruksjoner for vedlikehold, inspeksjon og montering**

Operatøren må forsikre seg om at alt vedlikehold, all inspeksjon og montering gjøres av kvalifiserte og godkjente personer som har blitt tilstrekkelig informert ved å lese brukerveiledningen.

Inngrep på maskinen skal hovedsakelig gjøres når den er i stillstand. Den framgangsmåten for å stoppe maskinen som beskrives i brukerveiledningen, må følges uten unntak.

Pumper eller pumpegrupper som pumper helseskadelige stoffer må dekontamineres. Når inngrepene er utført, må alle verneanordninger og sikkerhetsanordninger umiddelbart settes i funksjonsdyktig stand eller settes på plass igjen.

Før maskinen startes opp (igjen) må punktene i kapitlet 6. *Oppstart* følges.

### **1.7 Vilkårige modifikasjoner og framstilling av reservedeler**

All ombygging eller modifisering av maskinen er forbudt uten godkjenning fra fabrikanten. Sikkerheten er garantert bare med originale reservedeler og tilbehør godkjent av fabrikanten. Bruk av andre deler kan føre til at garantien mot følgeskader faller bort.

### **1.8 Ikke godkjent bruk**

Sikkerheten ved driften av de leverte maskinene er bare garantert ved bruk i samsvar med

kapittel 2. Allmenn bruksanvisning. De angitte grenseverdiene i det tekniske databladet må alltid overholdes.

## 2. ALLMENN

### 2.1 Introduksjon

Denne brukerveiledningen gjelder for pumpestasjoner for avløpsvann med kvernpumpe(r) i serien SANICUBIC® GR.

**Hvis denne brukerveiledningen ikke blir fulgt, særskilt sikkerhetsinstruksjonene, eller apparatet modifiseres vilkårlig eller det brukes ikke-originale reservedeler, fører det automatisk til bortfall av alt garantiansvar. Fabrikanten fraskriver seg alt ansvar for skader som skyldes slike avvik!**

**Som alle elektriske apparater kan dette produktet også svikte på grunn av feil ved strømforsyningen eller tekniske feil. Hvis dette fører til skade, må det være tilgjengelig en hjelpeenhet, en manuell membranpumpe, en andre installasjon (dobbeltinstallasjon) og/eller en uavhengig alarmerhet som er tilpasset formålet og uavhengig av strømmettet. Som fabrikant stiller vi oss til rådighet for all rådgiving, inkludert kundestøtte. Henvendelser om feil eller skader kan rettes til forhandleren.**

#### Produkter i serien :

|                          |                          |
|--------------------------|--------------------------|
| SANICUBIC® 1 GR SE71.1 S | SANICUBIC® 2 GR SE71.1 T |
| SANICUBIC® 1 GR SE71.1 T | SANICUBIC® 2 GR SE71.2 T |
| SANICUBIC® 1 GR SE71.2 T | SANICUBIC® 2 GR SE71.3 T |
| SANICUBIC® 1 GR SE71.3 T | SANICUBIC® 2 GR SE71.4 T |
| SANICUBIC® 1 GR SE71.4 T |                          |

### 2.2 Spørsmål og reservasjoner

Alle spørsmål og klager må rettes til spesialforhandleren din.

### 2.3 Driftsprinsipp

| SANICUBIC® GR Type | Effektforbruk P1 [kW] | Nominell effekt P2 [kW] | Spenning U [V] | Nominell strøm I <sub>N</sub> [A] | Hastighet på 50 Hz [n <sup>-1</sup> ] | Pumpe flens | Inlopp                                | Fôrhøyde h [mm] |
|--------------------|-----------------------|-------------------------|----------------|-----------------------------------|---------------------------------------|-------------|---------------------------------------|-----------------|
| SE71.1 S           | 2,2                   | 1,7                     | 230            | 10,5                              | 2 800                                 | DN 50       | Enkel Pumpe:<br>DN 100<br>DN 50/100   | 250<br>576      |
| SE71.1 T           | 2,1                   | 1,7                     | 400            | 3,7                               | 2 800                                 | DN 50       |                                       |                 |
| SE71.2 T           | 2,1                   | 1,7                     | 400            | 3,7                               | 2 800                                 | DN 50       | Dobbel Pumpe:<br>DN 100<br>DN 100/150 | 250<br>586      |
| SE71.3 T           | 3,9                   | 3,2                     | 400            | 6,5                               | 2 800                                 | DN 50       |                                       |                 |
| SE71.4 T           | 3,9                   | 3,2                     | 400            | 6,5                               | 2 800                                 | DN 50       |                                       |                 |

Maksimal væsketemperatur : 55°C

Minimum diameter på inngangsåpningen for den komplette pumpestasjonen : 600 mm

### Materiell

|                       |                |                  |                      |
|-----------------------|----------------|------------------|----------------------|
| <b>Tank</b>           | PE LD          | <b>Kvernhjul</b> | rustfritt stål       |
| <b>Pumpehus</b>       | GG 20          | <b>Drivaksel</b> | rustfritt stål       |
| <b>Drivhjul</b>       | GG 20          | <b>Pakninger</b> | NBR, FPM             |
| <b>Pakningsholder</b> | GG 20          | <b>Tetning</b>   | SiC (Silisiumkarbid) |
| <b>Kvernhjulflens</b> | rustfritt stål |                  |                      |

## 2.4 Bruksområde

Pumpestasjoner for avløpsvann av serien SANICUBIC® GR brukes til å fjerne (samle og pumpe ut) avløpsvann fra boliger og industri (inkludert svartvann) over refluksnivået til kloakken.

### Bruksbegrensninger :

- **Pumpestasjonen er ikke beregnet for kontinuerlig bruk! Utslippsopplysningene som er angitt på typeskiltet gjelder bare for periodisk bruk (S3 25 %).**
- **Det høyeste inntaket må alltid være lavere enn pumpestrømmen ved den beregnede manometriske høyden (se typeskiltet).**

### De følgende væskene og stoffene skal ikke pumpes :

- **faste stoffer, fibermaterialer, tjære, sand, sement, aske, grovpapir, engangsservietter, papp, søppel, matavfall, fett, oljer, hår, tantråd;**
- **alle produkter for fjerning av avløpsvann som befinner seg over refluksnivået (EN 12 056-1);**
- **avløpsvannet inneholder skadelige stoffer (DIN 1986-100), for eksempel ubehandlet spillvann fra restauranter. Slikt avløpsvann krever at det installeres en fettavskiller som samsvarer med normen DIN 4040-1.**

## 2.5 Hva leveransen omfatter

Pumpestasjoner for avløpsvann av serien SANICUBIC® GR leveres med :

- en eller flere pumper med innebygd kvernhjul av serien SANIPUMP® ZFS 71,
- kobling for nødtømming eller manuell membranpumpe,
- pneumatisk styring og elektroskap,
- en fleksibel tilkobling for lufting av tanken,
- utløpsvinkel DN 32,
- en eller flere stengeventiler av typen kuleventil DN 32,
- et rør etter Y DN 32/50/32 (bare for dobbeltinstallasjoner).

# 3. TRANSPORT/MIDLERTIDIG OPPBEVARING

## 3.1 Transport

Pumpestasjoner for avløpsvann av serien SANICUBIC® GR tåler i ikke å kastes eller slippes i bakken. De må alltid transporteres vannrett.

## 3.2 Midlertidig oppbevaring

Oppbevares kjølig, mørkt og tørt og beskyttet mot frost. Installasjonene må oppbevares vannrett.

# 4. BESKRIVELSE

## 4.1 Generell beskrivelse

Pumpestasjoner for avløpsvann av serien SANICUBIC® GR er enkle eller doble pumpestasjoner klare for tilkobling, kortvarig under vann, med samletank av gass- og luktett plast. De fungerer som loddrette kvernpumper med automatisk pneumatisk nivåstyring. De er utstyrt med nivådetektorer og tilhørende styringsskap.

## 4.2 Konsept og funksjonsmåte

Avløpsvannet renner med tyngdekrafta inn i pumpestasjonen SANICUBIC® GR.

Tanken er utformet for **trykkløs funksjon**, det vil si at avløpsvannet samles midlertidig trykkløst og så slippes ut i røret mot kloakken.

Vannet stiger i dykkørret som er skrudd på den øvre delen av reservoaret og trykker den innvendige lufta sammen til trykket påvirker kontaktoeren i elektroskapet. Dermed aktiveres pumpen og pumper vannet fra tanken til den høyere liggende kloakken.

I modellene med doble pumper arbeider pumpene vekselvis. Hvis nivået er for høyt i tanken, aktiveres den andre.

En stengeventil, to i de dobbelte installasjonene, hindrer at vannet flyter tilbake fra utslippsrøret til tanken. Styringsskapet har en lydalarm som aktiveres hvis pumpen eller pumpene svikter eller hvis vannivået er for høyt i tanken. Dessuten har det alarmkontakter slik at det kan kobles til eksterne alarmer (lydalarmer m.m.) Plasseringen er angitt på kabeldiagrammet.

## 5. INSTALLERING

### 5.1 Forberedelser

De følgende monteringsreglene er viktige for at pumpestasjonen skal fungere godt:

- Monter stasjonen i et godt luftet, tørt og frostfritt rom.
- Det må være tilstrekkelig plass rundt pumpen. Takhøyden må være rundt 2 til 2,5 m. Ifølge DIN 1986 del 3: «... tilgangen til alle installasjonsdelene ... (og) ... alle styringselementene må være garantert og de må kunne aktiveres uten vansker...De installerte delene skal ikke blokkeres av fabrikkert gods, møbler eller liknende ...»
- Gulvet i rommet må kunne bære vekta til hele installasjonen.
- På underjordiske installasjoner eller der det er risiko for infiltrering av vann, anbefales det å plassere ei dreneringspumpe i et mannhull.
- En krok i taket over apparatet gjør det mulig å løfte, montere, vedlikeholde og reparere pumpa.
- Før monteringen begynner må alle målene til kanalene og konstruksjonene sjekkes og sammenliknes med målene på installeringsstedet. Derfor er det spesielt viktig å passe på at tilførselsrørene ikke ligger dypere enn inntaksåpningene til stasjonen.

### 5.2 Montering

Under installeringen må man passe på at de forskjellige rørene og festepunktene ikke utsettes for stress og er helt lekkasjefrie.

#### 5.2.1 Plassering

Pumpestasjoner for avløpsvann i serien SANICUBIC® GR må orienteres i samsvar med rør som kan være til stede fra før på installeringsstedet. De må stå 100 % vannrett og festes til gulvet med festeskruene de leveres med.

DIN 19 760 del 1: «... Pumpestasjonen for svartvann må sikres av kunden ved hjelp av festeanordninger for å hindre alle muligheter for at den vrir seg eller flyter opp. ».

#### 5.2.2 Innløpsrør

**OBS**

Innløpsrørene må helle med minst 3% for å sikre god vannstrøm til stasjonen.



For å koble til tilførselsrørene må det sages hull for tilførselsrøret som skal brukes. Så stikkes tilførselsrøret inn i åpningen. Det bakre inntaket til en dobbel pumpeinstallasjon må åpnes ved hjelp av ei rundsag eller ei stikksag. **Bruk aldri** en hammer!

#### VIKTIG :

Hvis du skal koble til en sideåpning med høyde under 250 mm, må nivåmåleren justeres før du starter pumpa slik at vannivået i tanken stiger litt over underkanten av innløpsrøret under normal drift, men røret skal ikke være mer enn ½ fylt. Det tilsvarende vannivået vil da fylle alle rørene som ligger dypere. Dette kan hindre at det avleires forurensninger i inntaksrørene og i verste fall blokkering. Derfor er det praktisk å bruke den øverste inntaksåpningen så mye som mulig.

### 5.2.3 Utløpsrør

Albu med DN32, 900-flens monteres på den vannrette uttaksåpningen til pumpa. Enden med 5,4"-gjenger skal stå loddrett.

Det er viktig å montere tilbakeslagsventilen som følger med leveransen på uttaksrøret til pumpestasjonen. DIN 19 760 del 3: « ...en tilbakeslagsanordning må hindre at avløpsvannet strømmer tilbake i uttaksrøret når pumpa stopper. Når uttakssyklusen starter, må tilbakeslagsanordningen åpne seg automatisk. ...» ».

Det anbefales å sette en tilbakeslagsventil etter kuleventilen. Dette gjør det lettere å holde den ren og eventuelt bytte den hvis nødvendig.

Dobbelt pumpestasjoner leveres med et Y-rør med uttaksåpning DN50 (flens).

For å forebygge risiko for refluks fra septiktanken installeres utløpsrøret i sløyfe slik at den øverste delen befinner seg over refluksnivået. Hvis nødvendig forsterkes røret og armaturen med rørklemmer eller utkragingsbjelker.

### 5.2.4 Luftekanal

Den 75 mm ventilasjonskanalen til stasjonen kobles enten til bygningsventilasjonen eller føres ut separat over taket.

### 5.2.5 Elektrisk tilkobling

#### Sikkerhetsanordninger :

- **Alle elektriske anordninger som brukes må tilfredsstille normen IEC 364/VDE. 0100 Det betyr for eksempel at strømuttak må være jordet.**
- **Alle elektriske koblingsarbeider må utføres av en elektriker! De gjeldende 0100 VDE-bestemmelsene må følges!**
- **Strømnettet som installasjonen er koblet til må ha en separat høysensitiv jordfeilbryter IA <30 mA oppstrøms for styringen, ellers må det installeres en jordfeilbryter for hver pumpe mellom styringen og pumpa for å beskytte styringen i tilfelle differensialbryteren slår inn. Hvis stasjonen skal installeres i et baderom eller dusjrom, må de tilsvarende bestemmelsene i DIN VDE 0100 del 701 følges.**
- **Følg bestemmelsene i normen EN 12 056-4.**
- **Hvis stasjonen skal kobles til vekselstrøm, må kretsen sikres eksternt med skillebrytere av generell K-karakteristikk med tre mekaniske poler. Dette sikrer full frakobling fra nettet slik at tofasedrift utelukkes.**
- **Alt elektrisk utstyr, for eksempel styring, alarmer og strømuttak må installeres i tørre rom og sikres mot oversvømmelse.**
- **OBS! Installasjonen må alltid kobles fra strømnettet når pumpa skal monteres eller demonteres og ved alle andre inngrep.**
- **Motoren kan bli overopphetet hvis den overbelastes. Ved overoppheting kan det være farlig å berøre de varme flatene.**
- **Hvis du bruker en skjøteledning, må den ha samme kvalitet som strømkabelen stasjonen leveres med.**

Styringsskapet må plasseres slik at luftslangen og røret til dykkørøret alltid skråner oppover. Hvis ikke, kan det ikke garanteres at den automatiske styringen fungerer feilfritt.

Koble installasjonskontakten (CEE-kontakt eller strømkontakt med jord på en enkeltinstallasjon) rett før oppstart. Koble dobbeltinstallasjoner direkte til nettet. Pass alltid på at den elektriske installasjonen svarer til de gjeldende VDE-direktivene. Kretsdiagrammet for pumpestasjonen finnes i elektroskapet og må oppbevares der for å forenkle vedlikehold og kundestøtte.

## 6. OPPSTART

Sjekk igjen før oppstart om monteringen er korrekt og alle koblinger er tette. Åpne stengeventilene.

Så settes støpselet i stikkkontakten (enkel installasjon) eller strømmen slås på (dobbelt installasjon). På trefaseinstallasjoner må også rotasjonsretningen til pumpa sjekkes. Dette kan gjøres ved å slå bryteren manuell/0/automatisk kortvarig over på «manuell». Når motoren stopper, kan rotasjonsretningen

sammenliknes med den korrekte retningen som vises med pil på øvre del av dekselet på styringen. Hvis pumpen dreier i feil retning, må to av de tre fasene byttes om.



**Koble stasjonen fra strøm før du gjør noe arbeid på den elektriske installasjonen!**

Styringen er forhåndsinnstilt for bruk av DN 100-tilførselsrør med tilførselshøyde på 250 mm. Hvis bare den øverste tilførselen skal brukes, kan de andre bryterpunktene reguleres på styringen for å øke retensjonsvolumet.

| Minste pumpehøyde | Nivå AV N1 | Nivå PÅ N2 | Nivå PÅ N3<br>Bare for dobbelt installasjon | Hevet vannivå HW | Pumpevolum enkelt/dobbelt |
|-------------------|------------|------------|---|------------------|---------------------------|
| 250 mm            | 3 cm       | 14 cm      | 16 cm                                       | 18 cm            | 26 L / 47 L               |
| 428 mm            | 3 cm       | 25 cm      | 26 cm                                       | 29 cm            | 45 L / 80 L               |

Trykk på «Automatisk»-knappen(e) og utfør en funksjonstest. Fyll samletanken fra normale kilder (oppvaskkum, toalett e.l.) Installasjonen skal starte automatisk, tømme tanken og så stoppe. Vannet skal ikke strømme tilbake i utløpsrøret mot tanken mens den er i gang. For dobbelte installasjoner må de to pumpene starte etter tur.

Tidsforskyvningen må korrigeres i samsvar med installasjonsforholdene og utløpshøyden slik at pumpa tømmer samletanken maksimalt. Da begynner den å lage støy, men bare i kort tid før den stopper. Dykkerrøret skal ikke være nede i væsken lenger når pumpa stopper (styringen viser 0 cm på displayet). Tidsforskyvningen kan justeres i styringskapet.

Sjekk tettheten til alle rør og koblinger under funksjonstesten og tett dem hvis nødvendig. Hvis installasjonen fungerer korrekt, skal den stå på automatisk funksjon.

## 7. VEDLIKEHOLD

### 7.1 Inspeksjons- og vedlikeholdskalender

Inspeksjons- og vedlikeholdskalender ifølge normen DIN 1986 del 31: «Pumpestasjoner for avløpsvann må sjekkes månedlig ved å gjennomføre og observere en pumpesyklus og tettheten. [ ... ] Installasjonen må vedlikeholdes av en fagperson. Tidsintervallene mellom periodene skal ikke være over :

1. Et kvartal for industriforetak,
2. Et halvår for kollektive husholdninger,
3. Et år for individuelle husholdninger.»

### 7.2 Vedlikeholdsarbeid



**Koble stasjonen fra strøm før du gjør noe arbeid på den elektriske installasjonen!**

#### 7.2.1 Samletank

Åpne dekselet til styringen og skylt tanken med en vannslange for å løsne avleiringer fra veggene.

#### 7.2.2 Diverse

Alt øvrig vedlikeholdsarbeid skal utføres av kundestøtten vår.

## 8. FEIL, ÅRSAKER OG TILTAK



**FARE**



**Koble stasjonen fra strøm før du gjør noe arbeid på den elektriske installasjonen!**

| Funksjonsvikt                              | Årsak   | Løsning  |
|--|---|--|
| 1. Motoren går ikke.                       | <ul style="list-style-type: none"><li>– for lav eller ingen spenning</li><li>– feil tilkobling til strømforsyningen</li><li>– defekt strømkabel</li><li>– kondensatorfeil (bare for motorer med énfasestrøm)</li><li>– rotor eller hjul blokkert</li><li>– motorkontakten deaktivert på grunn av overoppheting, blokkering, strømsvikt</li><li>– feil ved styringen/defekt trykkbryter</li><li>– lekkasje i den fleksible luftslangen eller i koblingen</li><li>– motorfeil</li></ul> | <ul style="list-style-type: none"><li>– Sjekk strømforsyningen</li><li>– Rett opp</li><li>– Bytt/kundestøtte</li><li>– Bytt/kundestøtte</li><li>– Rens</li><li>– Sjekk/kundestøtte</li><li>– Sjekk/kundestøtte</li><li>– Sjekk/Bytt</li><li>– Bytt/kundestøtte</li></ul> |
| 2. Motoren går, men ingen væske i utløpet. | <ul style="list-style-type: none"><li>– hjulet blokkert eller slitt</li><li>– tilbakeslagsventilen blokkert</li><li>– sperreventilen blokkert eller stengt</li><li>– utløpsrøret blokkert</li><li>– sugerøret blokkert</li><li>– feil rotasjonsretning</li><li>– ikke vann i tanken</li><li>– luftehullet i tanken blokkert</li><li>– luftehullet i pumpehuset blokkert</li></ul>   | <ul style="list-style-type: none"><li>– Rens/Bytt</li><li>– Rens</li><li>– Rens/åpen</li><li>– Rens</li><li>– Rens</li><li>– Rett opp</li><li>– Deaktiver/kundestøtte</li><li>– Rens</li><li>– Rens</li></ul>  |
| 3. Motoren går og stopper.                 | <ul style="list-style-type: none"><li>– feil eller variabel spenning</li><li>– varmebryteren plassert feil</li><li>– for høyt strømforbruk</li></ul>  | <ul style="list-style-type: none"><li>– Rett opp/kundestøtte</li><li>– Sjekk/kundestøtte</li><li>– kundestøtte</li></ul>   |
| 4. Motoren stopper ikke.                   | <ul style="list-style-type: none"><li>– styringsfeil</li><li>– funksjonsfeil ved trykkbryteren</li></ul>  | <ul style="list-style-type: none"><li>– kundestøtte</li><li>– Bytt/kundestøtte</li></ul>   |

## 9. GARANTI

Som fabrikant påtar vi oss en 24 måneders garanti fra kjøpsdatoen for dette apparatet. Fakturaen din fungerer som garantibevis. I løpet av denne garantitiden eliminerer vi gratis alle feil som skyldes materiale eller fabrikasjon ved å reparere stasjonen eller bytte den hvis du ønsker det. Skader som skyldes feil bruk og slitasje dekkes ikke av garantien. Vi fraskriver oss alt ansvar for følgeskader som skyldes en utstysfeil.

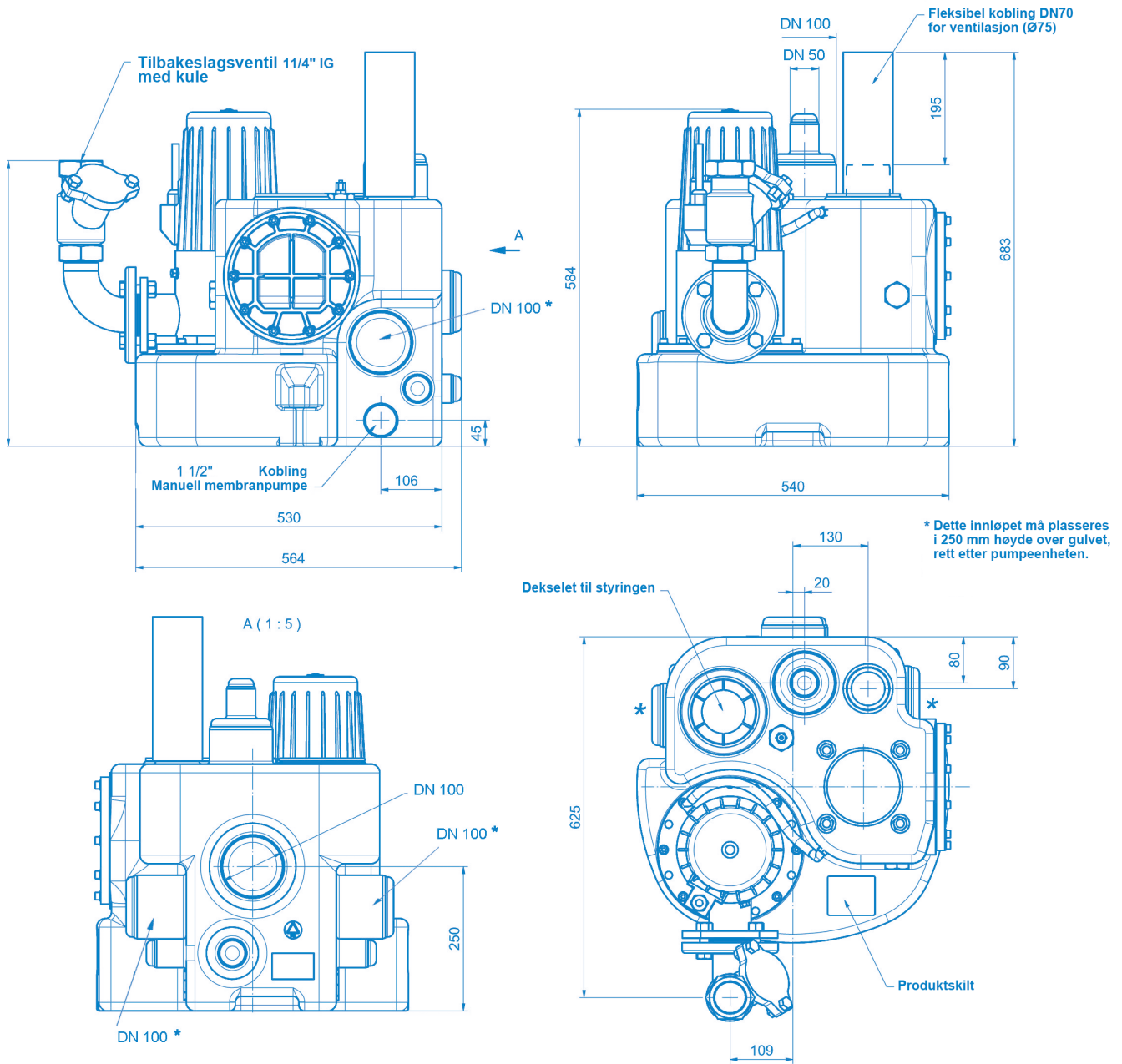
## 10. TEKNISKE MODIFIKASJONER

Vi forbeholder oss retten til å modifisere teknikken i forbindelse med tekniske forbedringer.

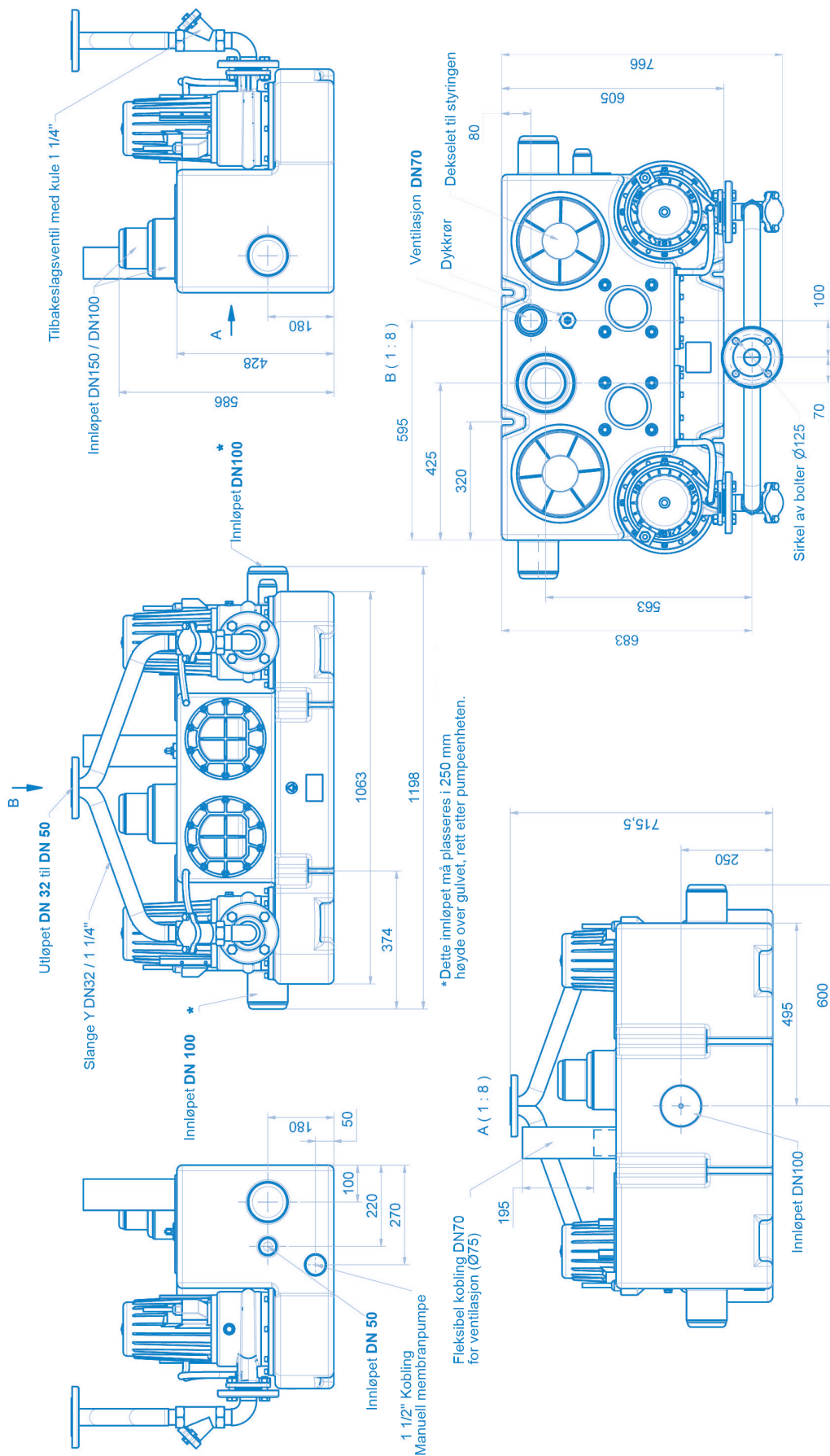


# Vedlegg A : Måltegninger

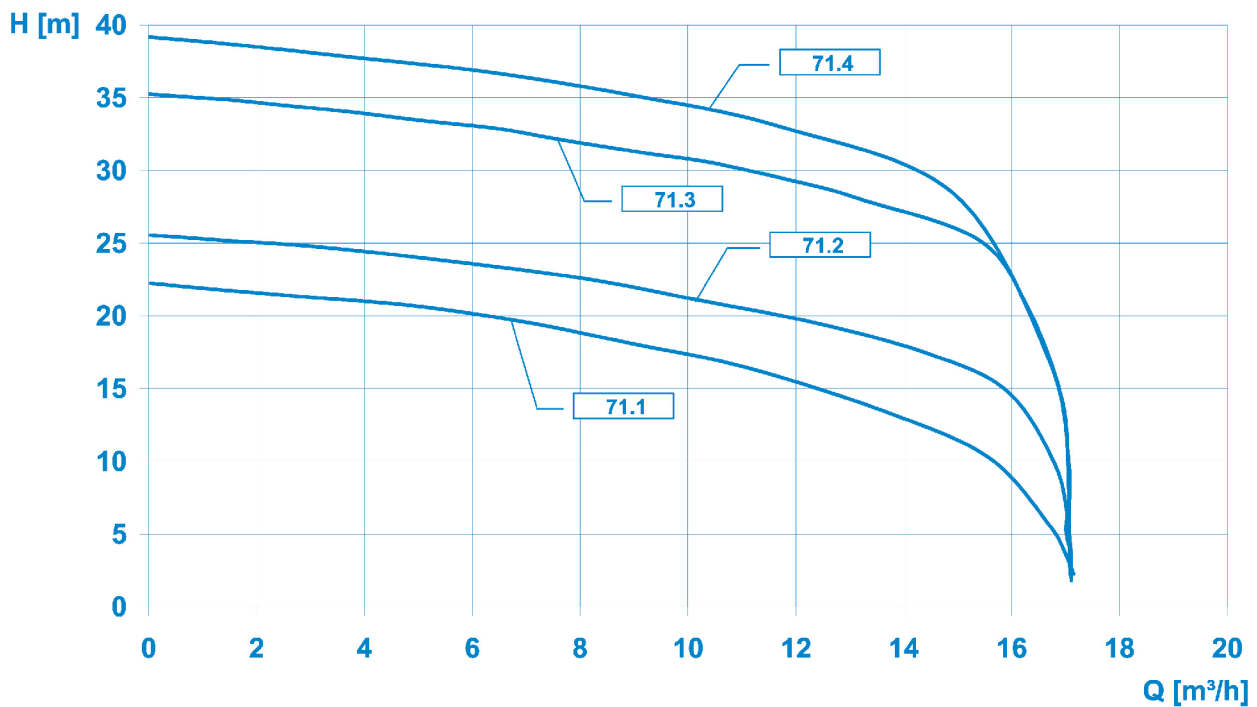
## SANICUBIC® 1 GR



# SANICUBIC® 2 GR



## Vedlegg B : Ytelseskurver

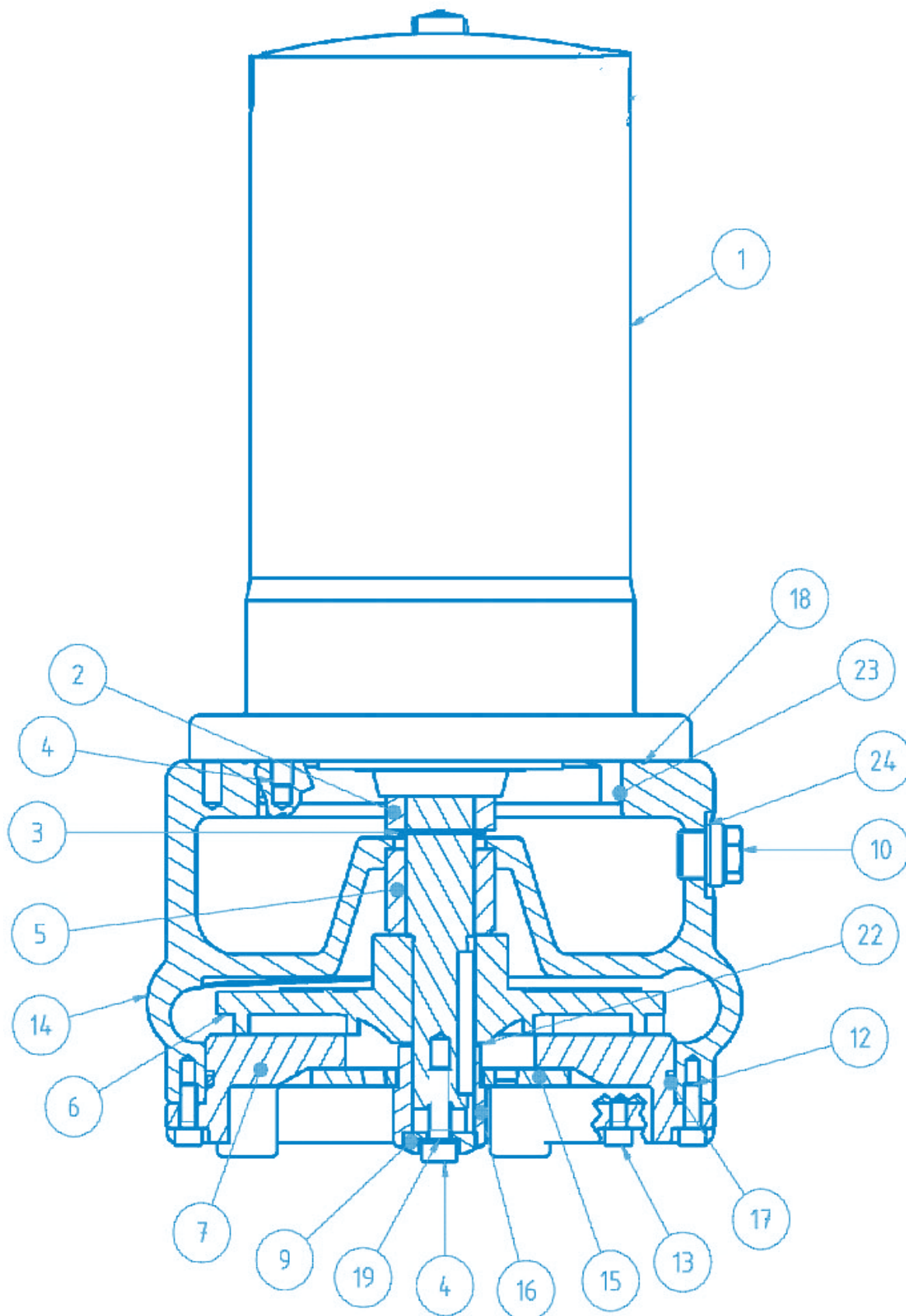


## Vedlegg C : Reservedelsliste

| Antall | Betegnelse  | Artikkelref. |
|--------|---|--------------|
| 1      | Tank SANICUBIC® GR SE71                               | 117337       |
| (1)    | Tank SANICUBIC® 2 GR SE71                             |              |
| 1 (2)  | Sugemunn SANICUBIC® GR SE71                           | 17481        |
| 1 (2)  | Rett fleksibel slange R 3/8"                          | 117191       |
| 1      | Komplett dykkør                                       | 60219        |
| 1      | Deksel for styringen med tetninger                    | 117012       |
| (2)    | Deksel for styringen for dobbeltinstallasjon          |              |
| (2)    | Tetninger for styringsdekslet for dobbeltinstallasjon |              |
| 1      | Styringskap SANICUBIC® GR SE71 230 V                  | 200102       |
| 1      | Styringskap SANICUBIC® GR SE71 400 V                  | 255302       |
| (1)    | Styringskap SANICUBIC® 2 GR SE71 400 V                |              |

## Vedlegg D : Snittegning av pumpen og reservedelsliste (for pumpa)

### Snittegning av pumpa



## Reservedelsliste (for pumpa)

| Num. | Artikkelref. | Betegnelse  | Antall |
|------|--------------|---|--------|
|      | 17749        | Pumpe for SANICUBIC® 1 GR SE71.1 S                    | 1      |
|      | 17463        | Pumpe for SANICUBIC® GR SE71.1 T                      | 1 (2)  |
|      | 17562        | Pumpe for SANICUBIC® GR SE71.2 T                      | 1 (2)  |
|      | 17563        | Pumpe for SANICUBIC® GR SE71.3 T                      | 1 (2)  |
|      | 17564        | Pumpe for SANICUBIC® GR SE71.4 T                      | 1 (2)  |
| 1    | 17587        | Motor med motorhus SANICUBIC® 1 GR SE71.1 S           | 1      |
| 1    | 17586        | Motor med motorhus SANICUBIC® GR SE71.1 T et SE71.2 T | 1      |
| 1    | 17588        | Motor med motorhus SANICUBIC® GR SE71.3 T et SE71.4 T | 1      |
| 2    | 17356        | GLRD LD1/25-G38 Motorside                             | 1      |
| 3    | 11679        | Tetning DIN471-A25x1,2                                | 1      |
| 4    | 16381        | Skru med innvendig sekskanthode M8x25-A2              | 5      |
| 5    | 17377        | GLRD MG1/25-G6 Fluidside                              | 1      |
| 6    | 17373        | Rotor SANIPUMP® ZFS 71.1 Ø135                         | 1      |
| 6    | 17371        | Rotor SANIPUMP® ZFS 71.2 Ø145                         | 1      |
| 6    | 17372        | Rotor SANIPUMP® ZFS 71.3 Ø160                         | 1      |
| 6    | 17351        | Rotor SANIPUMP® ZFS 71.4 Ø170                         | 1      |
| 7    | 17391        | Monteringsdeksel SANIPUMP® ZFS 71 for tanken          | 1      |
| 8    | 17109        | Senkeskrue M5x10-A2 DIN965                            | 3      |
| 9    | 17352        | Skru kobling for kvernhjulet SANIPUMP® ZFS 71         | 1      |
| 10   | 11640        | Gjenget åpning G 3/8 (Ventilasjon)                    | 1      |
| 10   | 11639        | Gjenget åpning G3/8 DIN910 (olje)                     | 1      |
| 11   | 11663        | Skru bolt DIN 580-M8-A2                               | 1      |
| 12   | 15320        | Skru med innvendig sekskanthode M6x20-A2              | 4      |
| 13   | 10008        | Skru med innvendig sekskanthode M6x10-A2              | 4      |
| 14   | 17355        | Pumpehus SANIPUMP® ZFS 71                             | 1      |
| 15   | 17353        | Kutteskive SANIPUMP® ZFS 71                           | 1      |
| 16   | 17354        | Kvernhjul SANIPUMP® ZFS 71                            | 1      |
| 17   | 11822        | O-ring 160 x 3,5-NBR70                                | 1      |
| 18   | 11629        | O-ring 147 x 3  | 1      |
| 19   | 11672        | Tetningsring 8x14x1 Cu                                | 1      |
| 20   | 11659        | Bærehåndtak   | 1      |
| 21   | 10666        | Skru med innvendig sekskanthode M6x12-A2 DIN 912      | 2      |
| 22   | 17375        | Justeringskive 10x30x0,1 1.4301                       | 2      |
| 22   | 17376        | Justeringskive 10x30x0,5 1.4301                       | 2      |
| 23   | 11656        | O-ring 125x2-NBR70                                    | 1      |
| 24   | 11646        | Tetningsring 17x22x1,5 Cu for Pos 230                 | 2      |
| 70   | 11645        | Låseskive S8x13x0,8 A2                                | 4      |
|      | 11690        | Teknisk hvit olje Wisura NFW                          | 0,4L   |

Service information : [www.sfa.biz](http://www.sfa.biz)

## SERVICE HELPLINES

### France

Tel. 01 44 82 25 55  
Fax. 03 44 94 46 19

### United Kingdom

Tel. 08457 650011  
(Call from a land line)  
Fax. 020 8842 1671

### Ireland

Tel. 1850 23 24 25  
(LOW CALL)  
Fax. + 353 46 97 33 093

### Australia

Tel. +1300 554 779  
Fax. +61.2.9882.6950

### Deutschland

Tel. 0800 82 27 82 0  
Fax. (060 74) 30928-90

### Italia

Tel. 0382 6181  
Fax. +39 0382 618200

### España

Tel. +34 93 544 60 76  
Fax. +34 93 462 18 96

### Portugal

Tel. +35 21 911 27 85  
sfa@sfa.pt

### Suisse Schweiz Svizzera

Tel. +41 (0)32 631 04 74  
Fax. +41 (0)32 631 04 75

### Benelux

Tel. +31 475 487100  
Fax. +31 475 486515

### Sverige

Tel. +08-404 15 30

### Norge

Tel. +08-404 15 30

### Polska

Tel. (+4822) 732 00 33  
Fax. (+4822) 751 35 16

### РОССИЯ

Tel. (495) 258 29 51  
Fax. (495) 258 29 51

### Česká Republika

Tel. +420 266 712 855  
Fax. +420 266 712 856

### România

Tel. +40 724 364 543  
service@saniflo.ro

### Türkiye

Tel. +90 212 275 30 88

### Brazil

Tel. (11) 3052-2292

### 中国

Tel. +86(0)21 6218 8969  
Fax. +86(0)21 6218 8970

### South Africa

Tel. +27 (0) 21 286 00 28